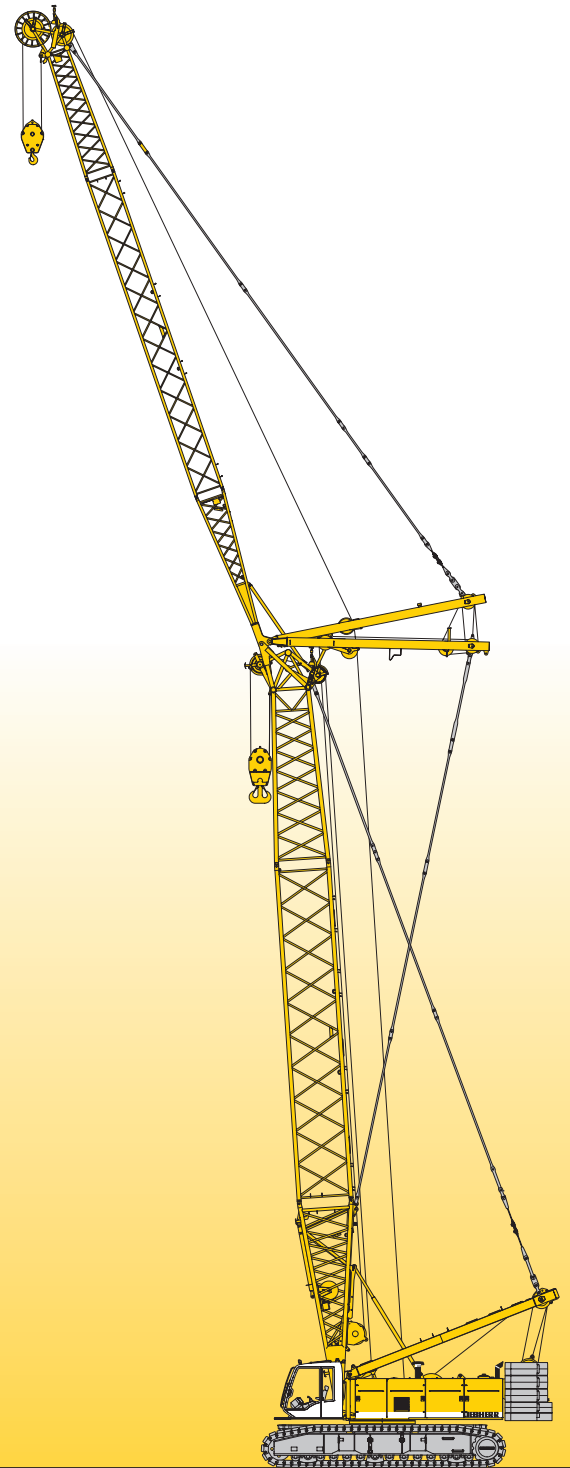


Technical data
Hydraulic lift crane

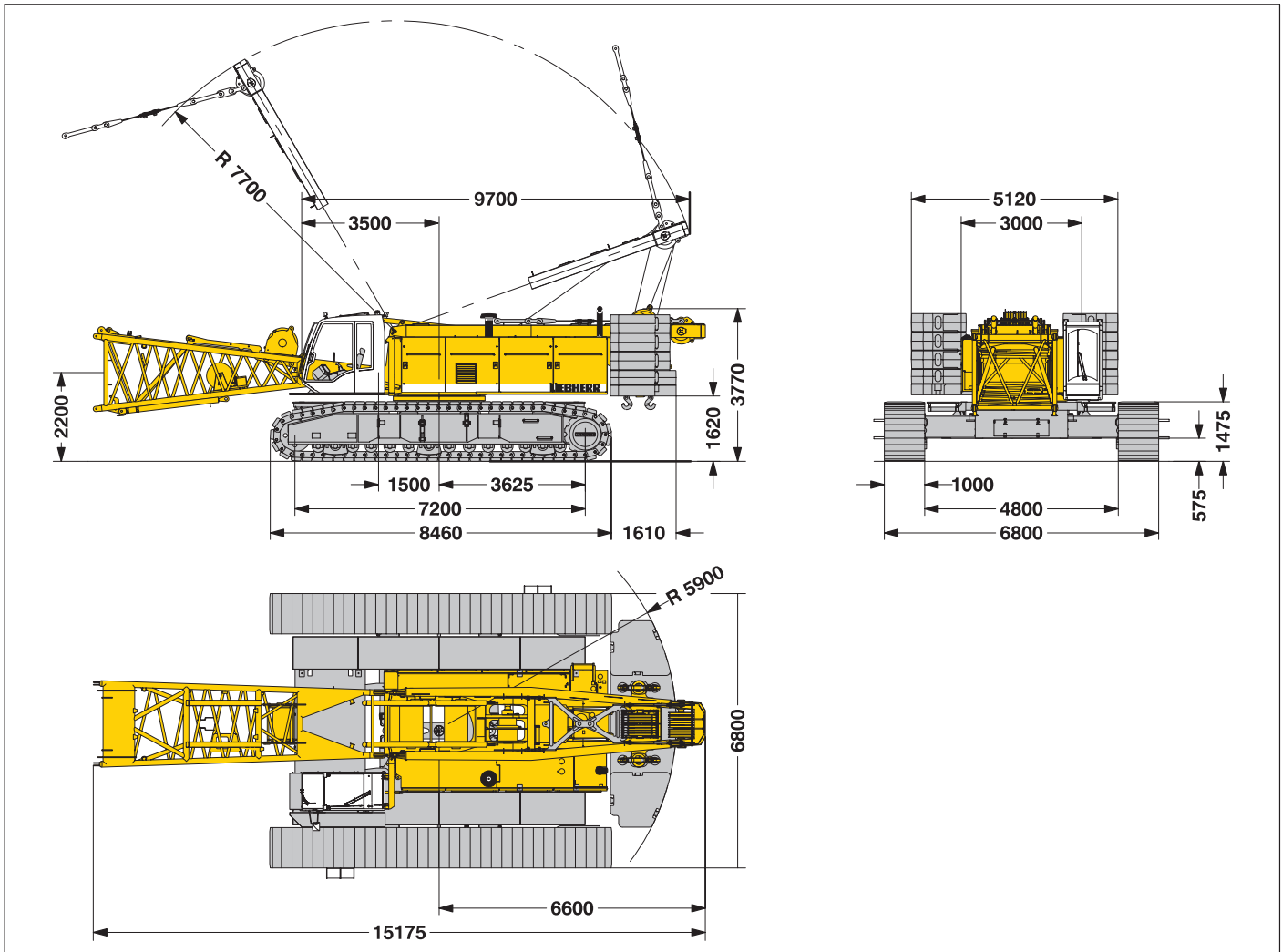
LR 1160
Litronic®



LIEBHERR

Dimensions

Basic machine with undercarriage



Operating weight

The operating weight includes the basic machine with crawlers, 2 main winches 120 kN and 20 m main boom, consisting of A-frame, boom foot (7 m), boom head (7 m), boom extension (6 m), 60.6 t basic counterweight, 20 t carbody counterweight and 160 t hook block.

Total weight _____ approx. 167.0 t

Ground pressure

Ground bearing pressure _____ 1.16 kg/cm²

Equipment

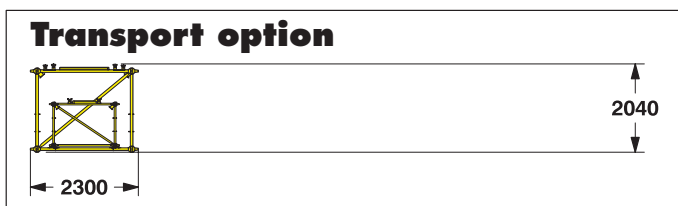
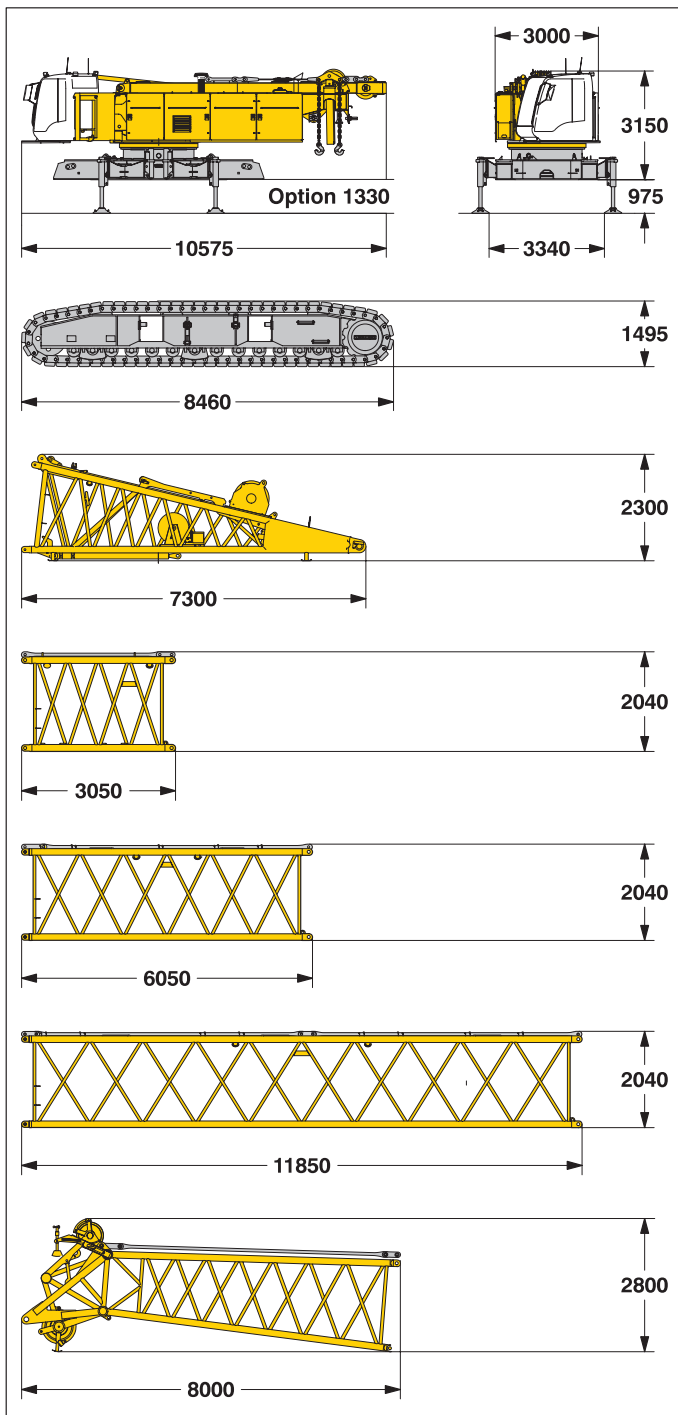
Main boom (No. 2018.xx) max. length _____ 87.5 m
 High reach (No. 2018.xx and 1309.xx) _____ 104.9 m
 High reach (No. 2018.xx and 1713.xx) _____ 101.1 m
 Luffing jib (No. 1309.xx) max. length _____ 78.5 m
 Max. combination _____ boom 55.1 m and luffing jib 78.5 m
 Luffing jib (No. 1713.xx) max. length _____ 83.0 m
 Max. combination _____ boom 52.1 m and luffing jib 83.0 m
 Fixed jib (No. 0806.xx) _____ 11 m – 32 m
 Fixed jib (No. 1008.xx) _____ 11 m – 26 m
 Auxiliary jib 24 t lifting capacity (option 36 t)

Remarks

1. The lifting capacities stated are valid for lifting operation only (corresponds with crane classification according to F.E.M. 1.001, crane group A1).
2. Crane standing on firm, horizontal ground.
3. The weight of the lifting device (hoisting ropes, hook block, shackle etc.) must be deducted from the gross lifting capacity to obtain a net lifting value.
4. Additional equipment on boom (e.g. boom walkways, auxiliary jib) must be deducted to get the net lifting capacity.
5. For max. wind speed please refer to lift chart in operator's cab or manual.
6. Working radii are measured from centre of swing and under load.
7. The lifting capacities are valid for 360 degrees of swing.
8. Calculation of stability under load is based on DIN 15019 / part 2 / chart 1 and ISO 4305 Table 1 + 2, tipping angle 4°.
9. The structures are calculated according to F.E.M. 1.001 – 1998 (EN 13001–2 / 2004).

Transport dimensions and weights

Basic machine and boom (No. 2018.xx)



*) Including pendants

Basic machine

with A-frame, 2x 120 kN crane winches without boom foot, hoisting ropes, basic counterweight and crawlers

Width	mm	3000
Weight	kg	38500

Crawler

2x

Flat track shoes	mm	1000
Width	mm	1040
Weight	kg	18800

Boom foot (No. 2018.23) without winches

Width	mm	2420
Weight	kg	3650

Boom section (No. 2018.20)

3 m

Width	mm	2280
Weight*	kg	760

Boom section (No. 2018.20)

6 m

Width	mm	2280
Weight*	kg	1100

Boom section (No. 2018.20)

11.7 m

Width	mm	2280
Weight*	kg	1900

Boom head (No. 2018.20)

Width	mm	2280
Weight*	kg	2700

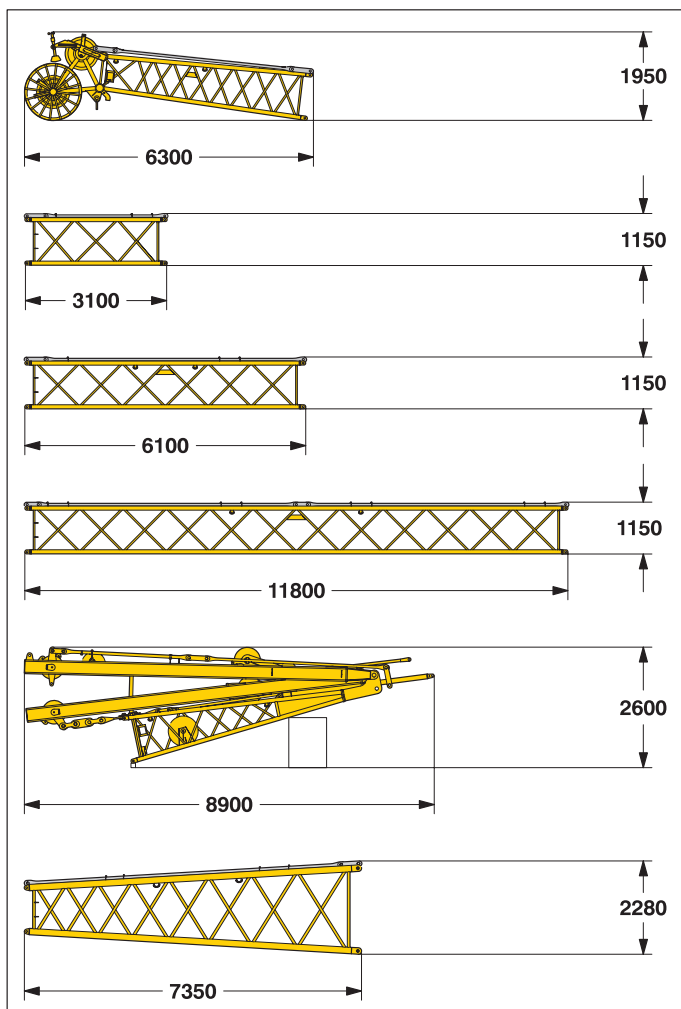
Boom - luffing jib transport option

11.7 m boom – and 11.7 m jib extension
6.0 m boom – and 6.0 m jib extension

(No. 2018.xx / 1309.xx)	6m/6m	11.7m/11.7m
Length	mm	6150 / 11850
Weight*	kg	1740 / 3160

Transport dimensions and weights

Luffing jib (No. 1309.xx)



Luffing jib head (No. 1309.22)

Width	mm	1500
Weight*	kg	1135

Luffing jib section (No. 1309.20) **3 m**

Width	mm	1500
Weight*	kg	420

Luffing jib section (No. 1309.20) **6 m**

Width	mm	1500
Weight*	kg	520

Luffing jib section (No. 1309.20) **11.7 m**

Width	mm	1500
Weight*	kg	960

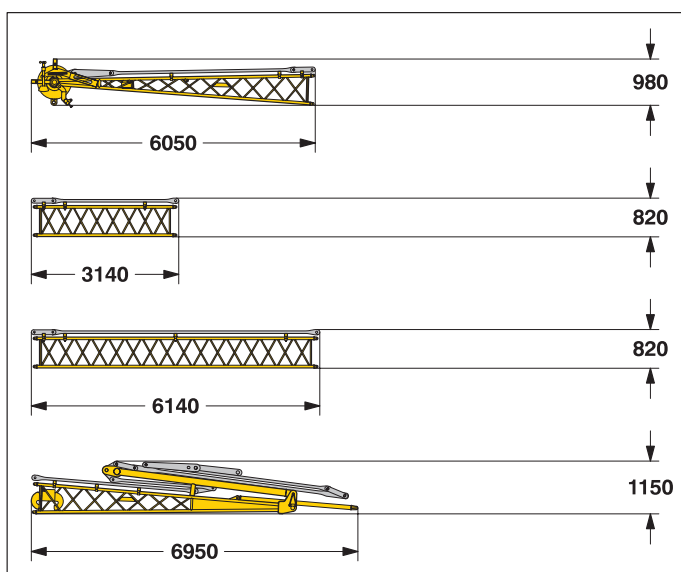
Luffing jib foot with A-frames (No. 1309.22)

Width	mm	1700
Weight*	kg	4800

Boom section tapered (No. 2018/1309.20) **7.2 m**

Width	mm	2280
Weight*	kg	1225

Fixed jib (No. 0806.xx)



Fixed jib head (No. 0806.16)

Width	mm	1140
Weight*	kg	445

Fixed jib section (No. 0806.15) **3 m**

Width	mm	950
Weight*	kg	110

Fixed jib section (No. 0806.15) **6 m**

Width	mm	950
Weight*	kg	195

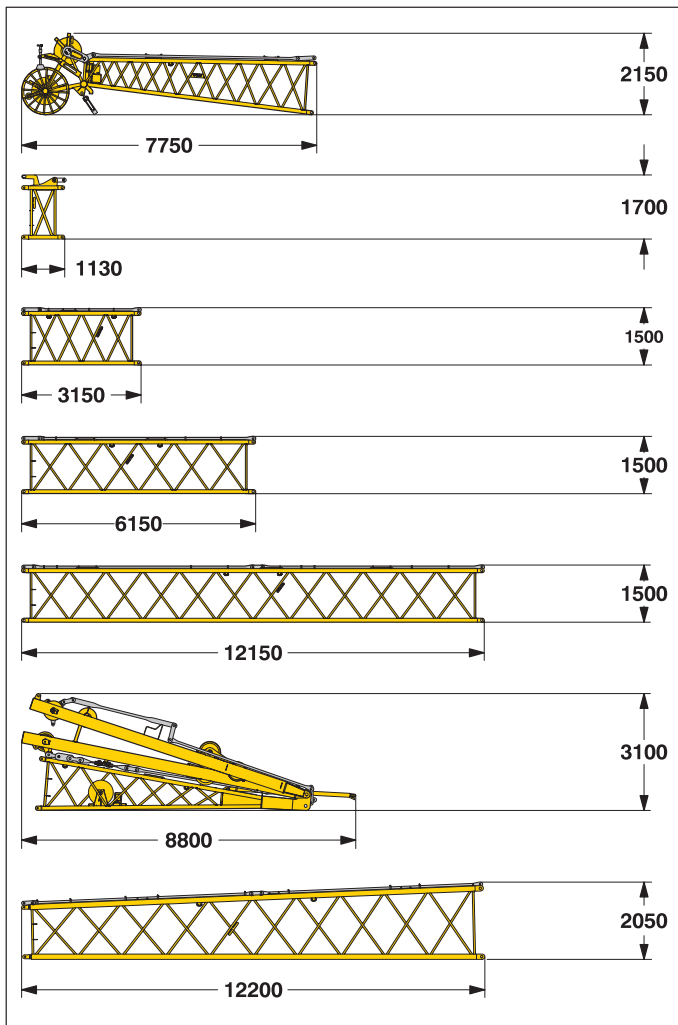
Fixed jib foot with A-frame (No. 0806.16)

Width	mm	1500
Weight*	kg	930

*) Including pendants

Transport dimensions and weights

Luffing jib (No. 1713.xx)



Luffing jib head (No. 1713.21)

Width	mm	1500
Weight*	kg	1135

L - boom jib section (No. 1713.22) **1 m**

Width	mm	2025
Weight*	kg	350

Luffing jib section (No. 1713.18) **3 m**

Width	mm	1500
Weight*	kg	420

Luffing jib section (No. 1713.18) **6 m**

Width	mm	1500
Weight*	kg	520

Luffing jib section (No. 1713.18) **12 m**

Width*	mm	1500
Weight	kg	960

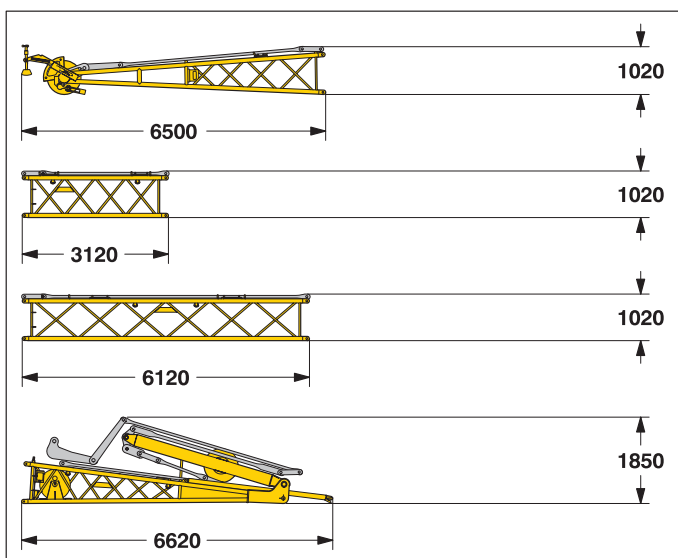
Luffing jib foot with A-frames (No. 1713.22)

Width	mm	1700
Weight*	kg	4800

L - boom section tapered (No. 2018/1713.20) **12 m**

Width	mm	2280
Weight*	kg	1250

Fixed jib (No. 1008.xx)



Fixed jib head (No. 1008.20)

Width	mm	1140
Weight*	kg	935

Fixed jib section (No. 1008.17) **3 m**

Width	mm	1100
Weight*	kg	300

Fixed jib section (No. 1008.17) **6 m**

Width	mm	1100
Weight*	kg	460

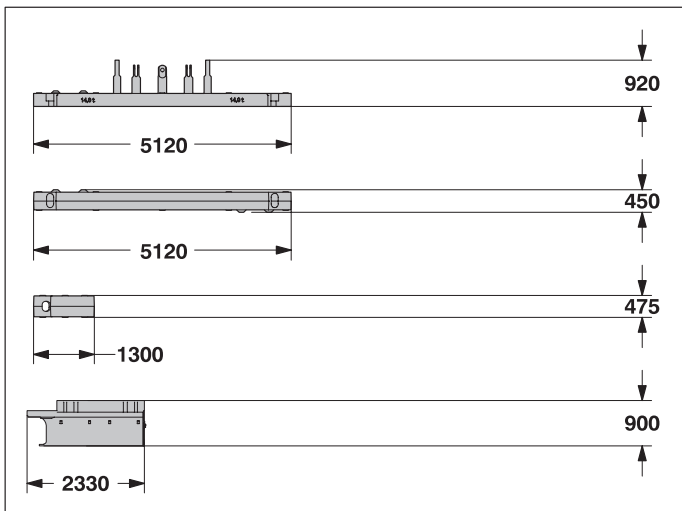
Fixed jib foot with A-frame (No. 1008.20)

Width	mm	1500
Weight*	kg	1950

*) Including pendants

Transport dimensions and weights

Counterweight



Counterweight

1x

Width _____ mm _____ 1660
Weight _____ kg _____ 14500

Counterweight

1x

Width _____ mm _____ 1660
Weight _____ kg _____ 16300

Counterweight

6x

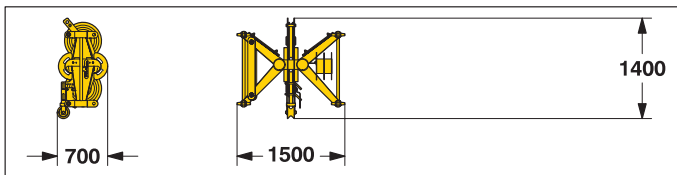
Width _____ mm _____ 1360
Weight _____ kg _____ 5100

Carbody counterweight

2x

Width _____ mm _____ 3030
Weight _____ kg _____ 10000

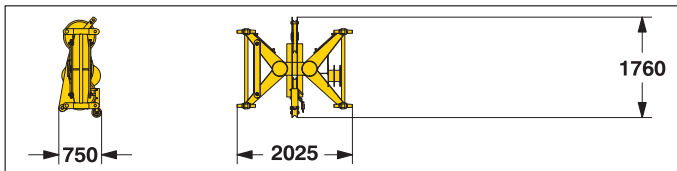
Mid fall (option)



Mid fall section (No. 1309.32)

0.35 m

Width _____ mm _____ 700
Weight _____ kg _____ 270

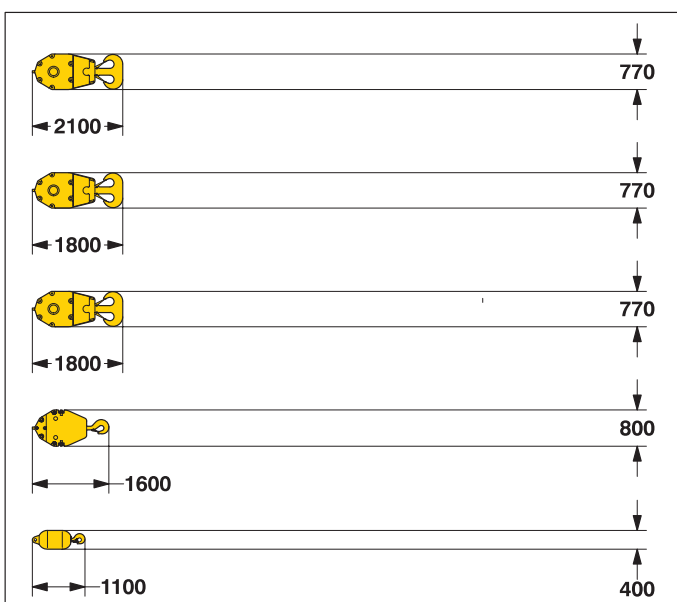


Mid fall section (No. 1713.31)

0.5 m

Width _____ mm _____ 700
Weight _____ kg _____ 385

Hooks



160 t hook block - 7 sheaves

Width _____ mm _____ 640 — 760 — 880
Weight _____ kg _____ 1500 — 2250 — 3000

100 t hook block - 5 sheaves

Width _____ mm _____ 540 — 670 — 770
Weight _____ kg _____ 1300 — 1800 — 2300

80 t hook block - 3 sheaves

Width _____ mm _____ 360 — 460 — 560
Weight _____ kg _____ 1000 — 1500 — 2000

40 t hook block - 1 sheave

Width _____ mm _____ 300 — 400 — 500
Weight _____ kg _____ 700 — 1100 — 1500

12.5 t single hook

Width _____ mm _____ 400
Weight _____ kg _____ 600

Technical description



Engine

Power rating according to ISO 9249, 270 kW (367 PS) at 2000 rpm
Engine type _____ Liebherr D 936 L A6
Fuel tank _____ 790 l capacity with continuous level indicator and reserve warning
Engine complies with NRMM exhaust certification EPA / CARB Tier 3 and 97/68 EC Stage III



Hydraulic system

A double axial displacement pump supplies the open loop hydraulic system, allowing all functions to be operated simultaneously. To minimize peak pressure an automatic working pressure cut-off is integrated in the pump. All filters are electronically monitored.
The use of synthetic environmentally friendly (biodegradable) oils is possible.
Working pressure _____ max. 350 bar
Oil tank capacity _____ 650 l



Luffing jib winch

Line pull _____ max. 105 kN
Rope diameter _____ 20 mm
Jib luffing _____ 46 sec. from 15° to 78°



Boom winch

Line pull _____ max. 217 kN
Rope diameter _____ 24 mm
Boom up _____ 119 sec. from 15° to 86°



Swing

Consists of rollerbearing with external teeth, swing drive with fixed axial piston hydraulic motor, spring loaded and hydraulically released multi-disc holding brake, planetary gearbox and pinion.
Both swing modes are possible – speed control or free swing.
A multi-disc holding brake acts automatically at zero swing motion.
Swing speed from 0 – 3 rpm continuously variable.



Main winches

Line pull (1st layer) _____ max. 175 kN
Line pull (7th layer) _____ 120 kN
Rope diameter _____ 26 mm
Drum diameter _____ 580 mm
Rope speed m/min _____ 0 – 136
Rope capacity in 7 layers _____ 489 m
The winches are outstanding in their compact design and easy assembly. Propulsion is via a planetary gearbox in an oil bath.
Load support by the hydraulic system; additional safety factor provided by a spring loaded, multi-disc holding brake.
The main winches use pressure controlled, variable flow hydraulic motors. This system features sensors that automatically adjust oil flow to provide max. winch speed depending on load.
Option – winch with freefall system:
Clutch and braking functions on the freefall system are provided by a compact designed, low wear and maintenance free multi-disc brake.



Crawlers

Propulsion through axial piston motor, hydraulically released spring loaded multi-disc brake, crawler tracks, hydraulic chain tensioning device.
Flat track shoes _____ 1000 mm
Drive speed _____ 0 – 1.5 km/h



Control

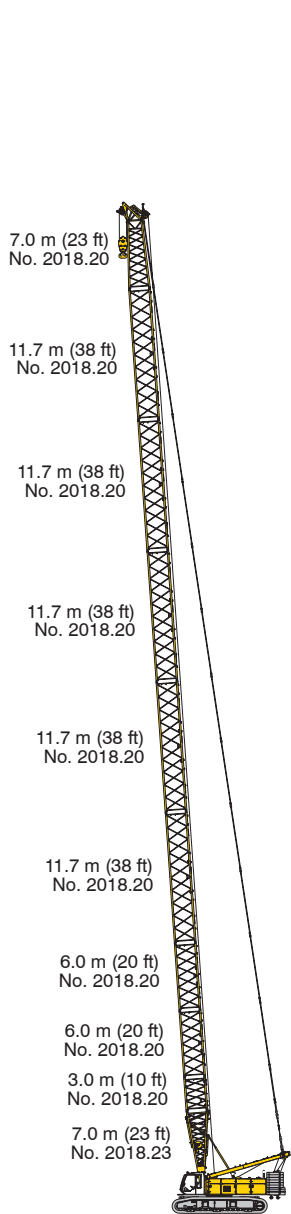
The control system – developed and manufactured by Liebherr – is designed to withstand extreme environmental conditions such as temperature, vibration and electromagnetic interference and to meet all requirements that are needed in heavy duty crane operation.
Complete machine operating data are shown on a high resolution display. Standard operational information is displayed by means of graphical symbols, fault indications are displayed in plain text (more than 15 languages available).
The cranes are equipped with proportional control for all main movements, which can be carried out simultaneously.
The crane is operated with 2 multi-directional joysticks, the right for winch I and boom, the left for winch II and swing control.
Option:
Bi-directional double T-levers for simultaneous boom and luffing jib operation.
The crawlers are activated by the two central foot pedals. Additionally, hand levers can be attached to the pedals.
Remote control for assembly of counterweight and boom hinge pins.



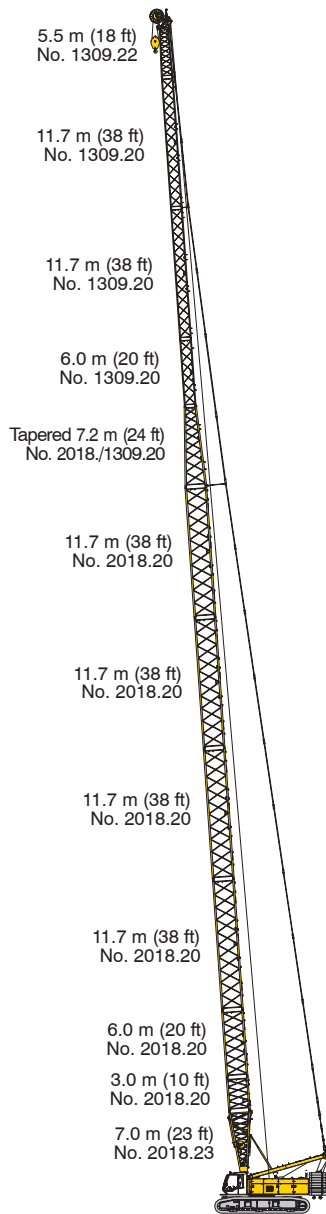
Noise emission

Noise emissions correspond with 2000/14/EC directive on noise emission by equipment used outdoors.

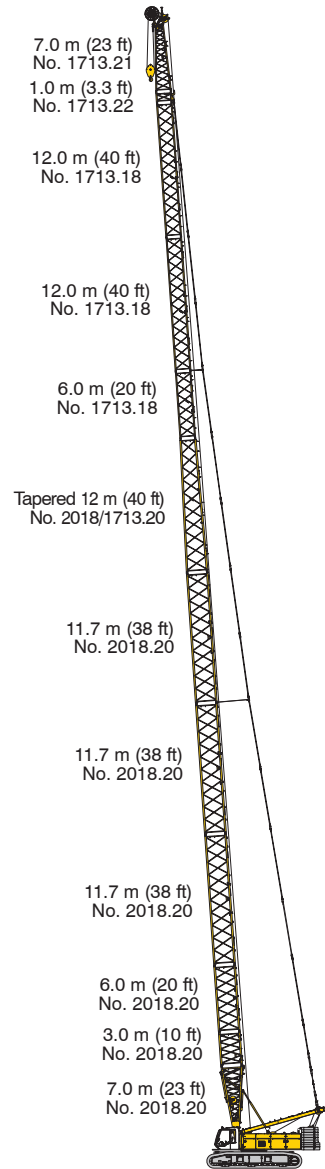
Boom combinations



Main boom No. 2018.xx — 87.5 m

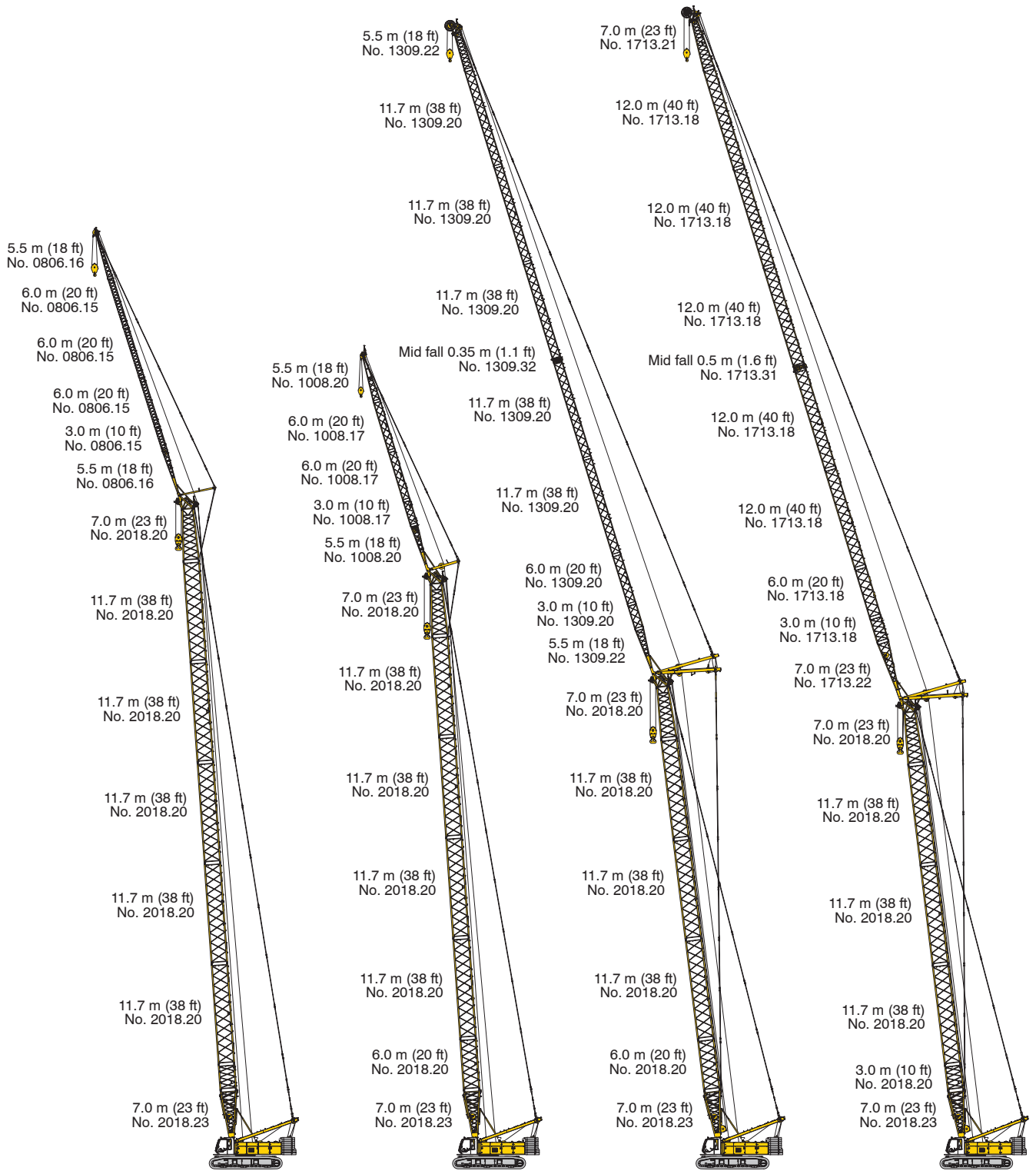


Max. combination — 104.9 m
 Main boom No. 2018.xx — 62.8 m
 Tapered No. 2018/1309.xx — 7.2 m
 Luffing jib No. 1309.xx — 34.9 m



Max. combination — 101.1 m
 Main boom No. 2018.xx — 51.1 m
 Tapered No. 2018/1713.xx - 12.0 m
 Luffing jib No. 1713.xx — 38.0 m

Boom combinations



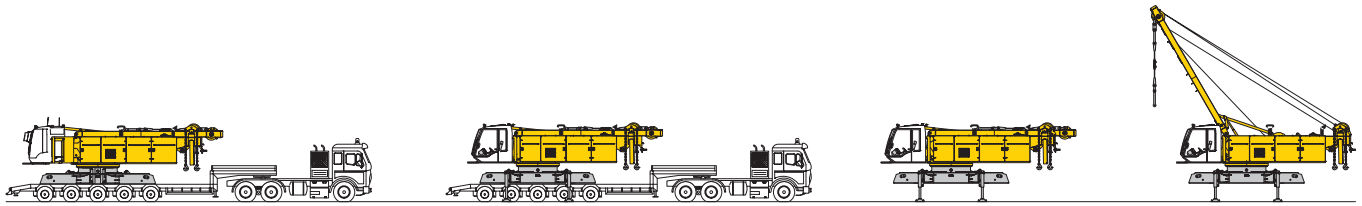
Max. combination — 107.5 m
 Main boom No. 2018.xx — 75.5 m
 Fixed jib No. 0806.xx — 32.0 m
 Main boom No. 2018.xx — 78.5 m
 Fixed jib No. 0806.xx — 23.0 m

Max. combination — 92.8 m
 Main boom No. 2018.xx — 66.8 m
 Luffing jib No. 1008.xx — 26.0 m
 Main boom No. 2018.xx — 69.8 m
 Luffing jib No. 1008.xx — 20.0 m

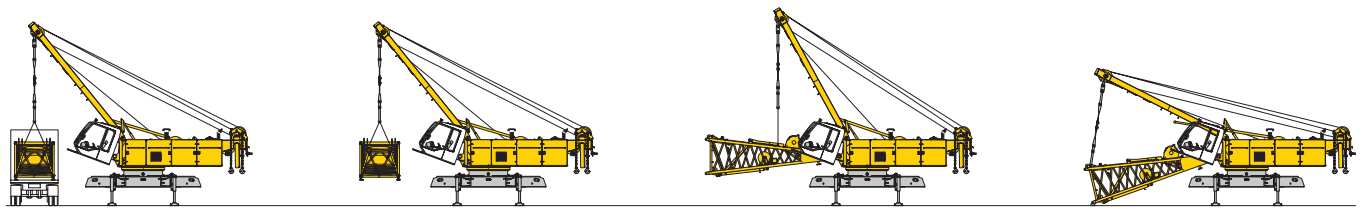
Max. combination — 133.6 m
 Main boom No. 2018.xx — 55.1 m
 Luffing jib No. 1309.xx — 78.5 m
 Main boom No. 2018.xx — 58.1 m
 Luffing jib No. 1309.xx — 66.8 m

Max. combination — 135.1 m
 Main boom No. 2018.xx — 52.1 m
 Luffing jib No. 1713.xx — 83.0 m
 Main boom No. 2018.xx — 58.1 m
 Luffing jib No. 1713.xx — 50.0 m

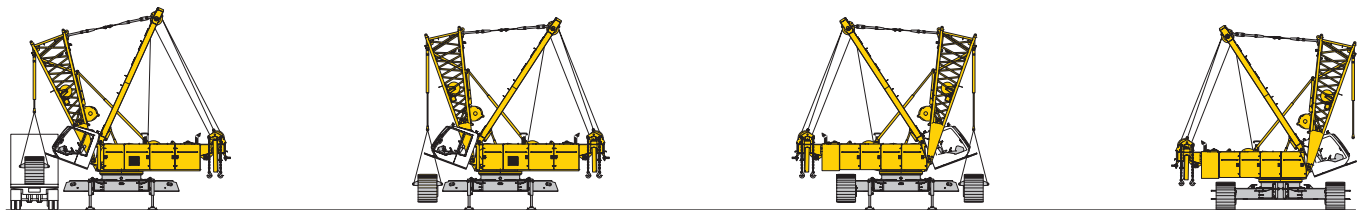
Self assembly system



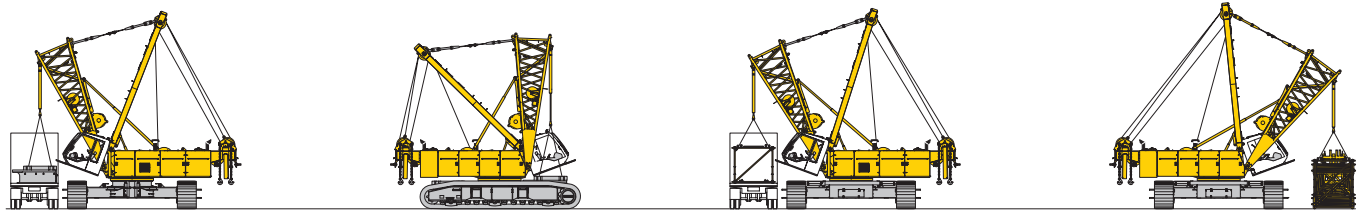
Unloading of basic machine



Unloading and assembly of boom foot

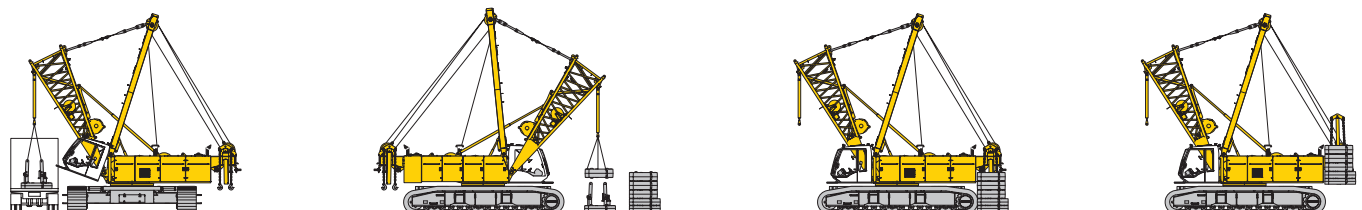


Unloading and assembly of crawlers



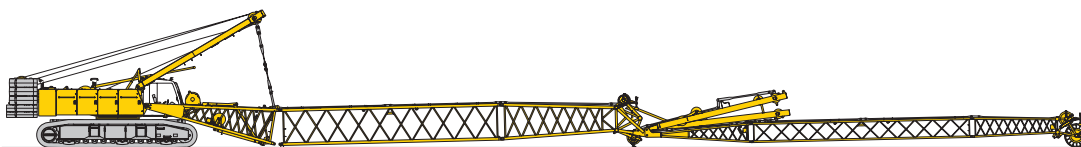
Unloading and assembly of carbody counterweight

Unloading and assembly of boom

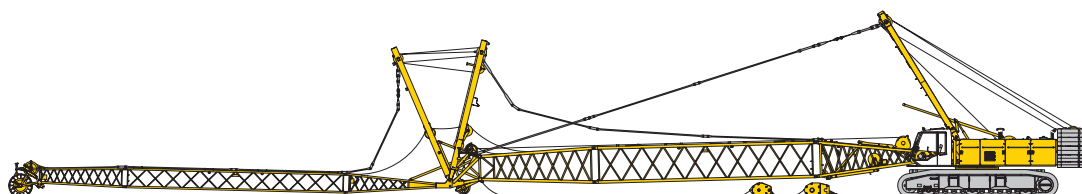


Unloading and assembly of counterweight

Erecting of main boom to working position



Assembly of boom



Reeving of hoist and luffing jib ropes

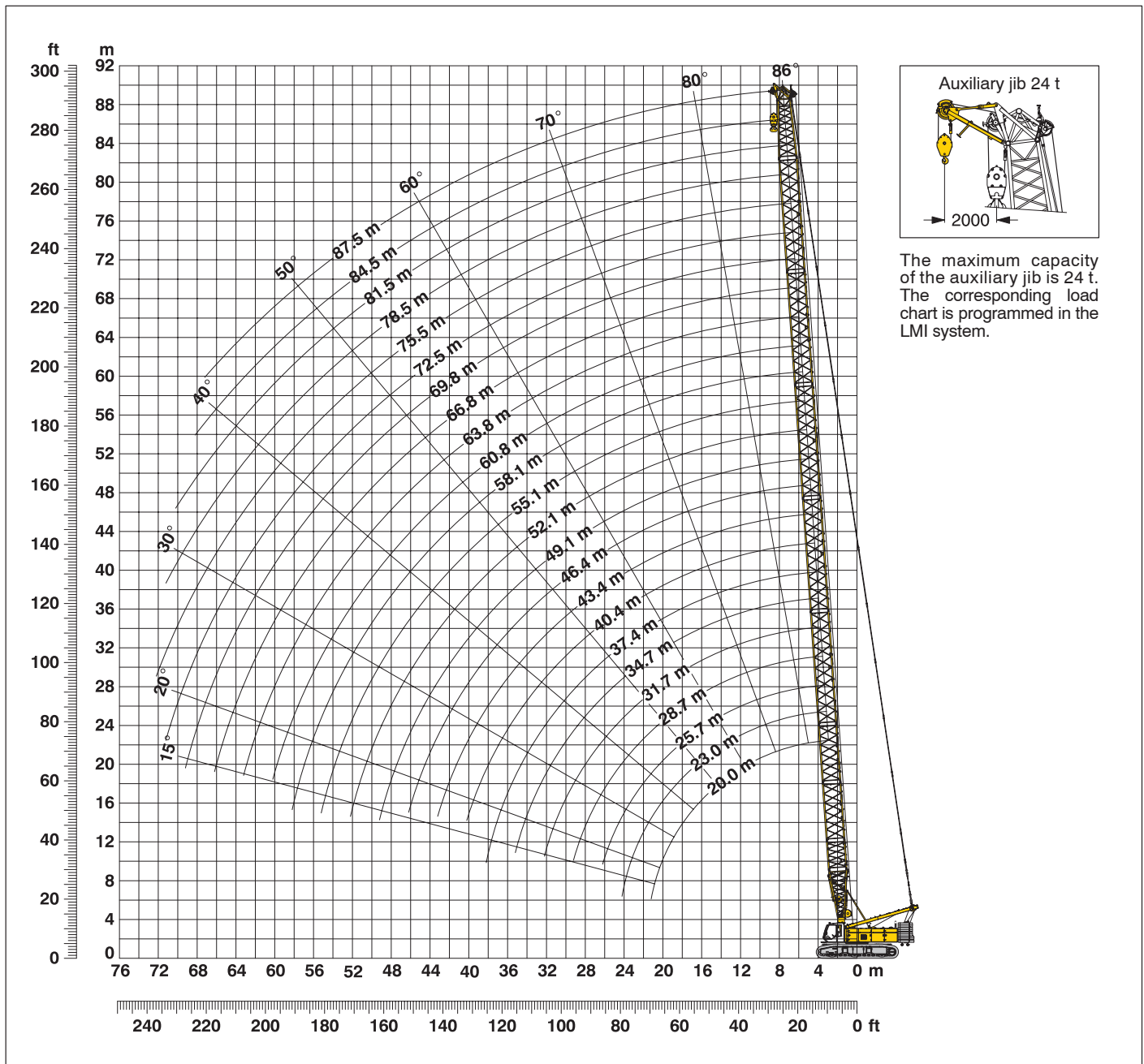


Erecting of main boom and luffing jib

Working position

Working range - main boom (No. 2018.xx) 86° - 15°

60.6 t counterweight and 20 t carbody counterweight



Main boom configuration (Table 1 - No. 2018.xx)

Configuration for boom lengths (20 m - 87.5 m)

Length	Amount of boom extensions																													
	7.0 m	3.0 m	6.0 m	11.7 m	7.0 m	20	23	25.7	28.7	31.7	34.7	37.4	40.4	43.4	46.4	49.1	52.1	55.1	58.1	60.8	63.8	66.8	69.8	72.5	75.5	78.5	81.5	84.5	87.5	
Boom foot	7.0 m	1	1	1	1	1	1	1	1	1	1	1	1	1	1	1	1	1	1	1	1	1	1	1	1	1	1	1	1	1
Boom insert	3.0 m		1		1		1		1		1		1		1		1		1		1		1		1		1		1	
Boom insert	6.0 m	1	1		1	1		1	1		1	1		1	1		1	1		1	1		1	1		1	1	2	2	
Boom insert	11.7 m			1	1	1	1	1	2	2	2	2	3	3	3	3	4	4	4	4	5	5	5	5	5	5	5	5	5	5
Boom head	7.0 m	1	1	1	1	1	1	1	1	1	1	1	1	1	1	1	1	1	1	1	1	1	1	1	1	1	1	1	1	1
Boom length (m)		20	23	25.7	28.7	31.7	34.7	37.4	40.4	43.4	46.4	49.1	52.1	55.1	58.1	60.8	63.8	66.8	69.8	72.5	75.5	78.5	81.5	84.5	87.5					

Lift chart for main boom (No. 2018.xx)

Capacities in metric tons for boom lengths (20 m – 87.5 m) – with 120 kN winches
60.6 t counterweight and 20 t carbody counterweight

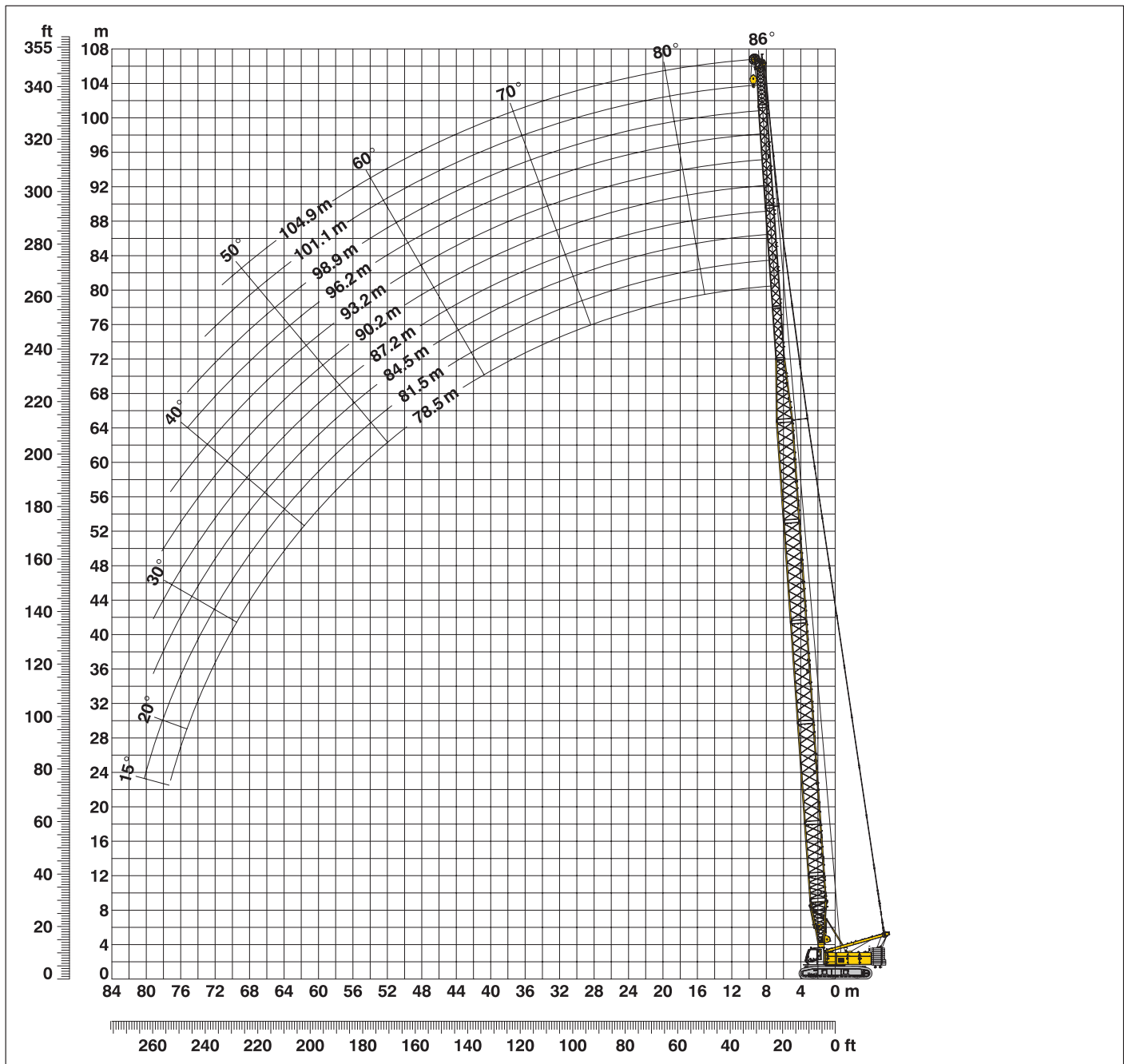
Radius (m)	Boom length in (m)												Radius (m)	
	20	28.7	34.7	40.4	46.4	52.1	58.1	63.8	69.8	75.5	81.5	87.5		
3.9	160.0*													3.9
5	137.2	136.6	126.4											5
6	137.2	132.0	122.7	105.1	86.4									6
7	119.4	110.4	108.5	97.6	83.4	68.8	57.0	45.4						7
8	109.8	99.7	93.7	87.9	78.5	65.3	55.6	45.1	37.9	31.5				8
9	94.9	85.7	82.3	76.1	73.3	62.0	53.7	43.8	37.1	31.2	26.1	21.4		9
10	82.9	76.5	73.3	69.9	65.7	59.4	51.6	42.5	36.0	30.4	25.5	21.1		10
12	63.7	62.7	59.9	54.9	55.1	52.9	44.7	39.2	32.9	28.8	24.2	20.1		12
14	51.4	51.4	50.5	48.7	44.9	44.1	42.0	33.5	31.0	27.3	22.6	19.0		14
16	42.9	42.9	42.7	42.0	40.4	39.0	37.6	31.5	29.0	25.9	21.4	17.8		16
18	36.6	36.6	36.4	36.3	34.1	34.3	32.5	29.2	27.2	24.6	20.2	16.7		18
20	31.8	31.8	31.6	31.5	31.2	30.5	29.4	26.9	25.4	22.4	19.2	15.8		20
22		28.0	27.9	27.7	27.4	27.2	26.3	24.9	22.6	21.4	18.3	15.0		22
24		25.0	24.8	24.6	24.3	24.1	22.8	22.1	21.6	20.5	17.3	14.2		24
26		22.3	22.2	22.0	21.8	21.5	21.2	20.8	20.0	19.3	16.4	13.4		26
28		20.2	20.0	19.9	19.6	19.4	19.1	18.8	18.2	17.5	15.6	12.6		28
30			18.2	18.1	17.8	17.6	17.3	17.0	16.7	16.0	14.8	12.2		30
32			16.6	16.5	16.2	16.0	15.7	15.4	15.1	14.6	13.9	11.1		32
34			15.2	15.1	14.8	14.6	14.3	14.0	13.7	13.4	12.7	10.8		34
36				13.9	13.6	13.4	13.1	12.8	12.5	12.2	11.7	10.5		36
38				12.8	12.6	12.3	12.1	11.9	11.3	11.3	10.7	10.0		38
40				11.9	11.7	11.5	11.2	10.9	10.6	10.3	9.8	9.2		40
42					10.8	10.6	10.3	10.0	9.7	9.4	9.0	8.4		42
44					10.0	9.8	9.5	9.3	8.9	8.6	8.3	7.7		44
46					9.3	9.1	8.8	8.5	8.2	7.9	7.6	7.1		46
48						8.5	8.2	7.9	7.6	7.3	6.9	6.5		48
50						7.8	7.6	7.3	7.0	6.7	6.4	5.9		50
55							6.3	6.0	5.7	5.4	5.1	4.7		55
60								4.9	4.6	4.3	4.0	3.7		60
65									3.7	3.4	3.1	2.8		65
70										2.7	2.3			70

Above lift chart is for reference only. For actual lift duty please refer to lift chart in operator's cab or manual.

* Capacities over 140 t require a special heavy duty boom head.

L – boom high reach (No. 2018 / 1309.xx) **66.8 m – 104.9 m**

Working range 86° – 15°



L – boom configuration with 51.1 m main boom (No. 2018.xx / No. 1309.xx)

Configuration for L – boom lengths (66.8 m – 96.2 m)

Configuration	Length	Amount of boom and luffing jib extensions										
		1	1	1	1	1	1	1	1	1	1	1
Boom foot	7.0 m	1	1	1	1	1	1	1	1	1	1	1
Boom insert	3.0 m	1	1	1	1	1	1	1	1	1	1	1
Boom insert	6.0 m	1	1	1	1	1	1	1	1	1	1	1
Boom insert	11.7 m	3	3	3	3	3	3	3	3	3	3	3
Tapered	7.2 m	1	1	1	1	1	1	1	1	1	1	1
Luffing insert	3.0 m	1		1		1		1		1		1
Luffing insert	6.0 m		1	1			1		1		1	1
Luffing insert	11.7 m				1	1	1	1	2	2	2	2
Luffing jib head	5.5 m	1	1	1	1	1	1	1	1	1	1	1
Max. L – boom length (m)		66.8	69.8	72.8	75.5	78.5	81.5	84.5	87.2	90.2	93.2	96.2

Lift chart for L – boom (No. 2018 /1309.xx)

Main boom length 51.1 m

Capacities in metric tons 60.6 t counterweight and 20 t carbody counterweight					
Radius (m)	Boom length in (m)				
	66.8	78.5	84.5	90.2	96.2
6.7	t	t	t	t	t
8	41.7	23.1			
9	41.1	22.6	16.9	12.6	8.8
10	40.0	21.8	16.2	12.3	8.1
12	39.0	20.1	14.9	11.0	7.5
14	36.3	18.7	13.7	10.2	7.0
16	32.9	17.4	12.6	9.4	6.6
18	28.5	16.2	11.4	8.6	6.2
20	25.1	15.2	10.7	8.0	5.8
22	21.6	14.3	10.0	7.4	5.5
24	20.0	13.4	9.5	7.0	5.2
26	18.7	12.7	8.9	6.5	5.0
28	17.3	12.1	8.3	6.1	4.7
30	15.9	11.2	7.9	5.8	4.5
32	14.7	10.8	7.4	5.4	4.3
34	13.5	10.3	7.0	5.1	4.0
36	12.3	9.9	6.7	4.8	3.8
38	11.6	9.5	6.4	4.6	3.6
40	10.9	9.0	6.2	4.4	3.4
42	10.1	8.5	5.9	4.3	3.3
44	9.2	8.0	5.7	4.1	3.2
46	8.5	7.4	5.5	4.0	3.1
50	8.0	6.3	5.2	3.7	2.8
55	6.9	5.4	4.7	3.4	2.6
60	5.8	4.5	4.2	3.2	2.5
65	4.8	3.9	3.6	3.0	2.3
70	4.1	3.2	3.1	2.7	2.2
75		2.7	2.5	2.4	2.2
80			2.1	2.2	

Main boom length 62.8 m

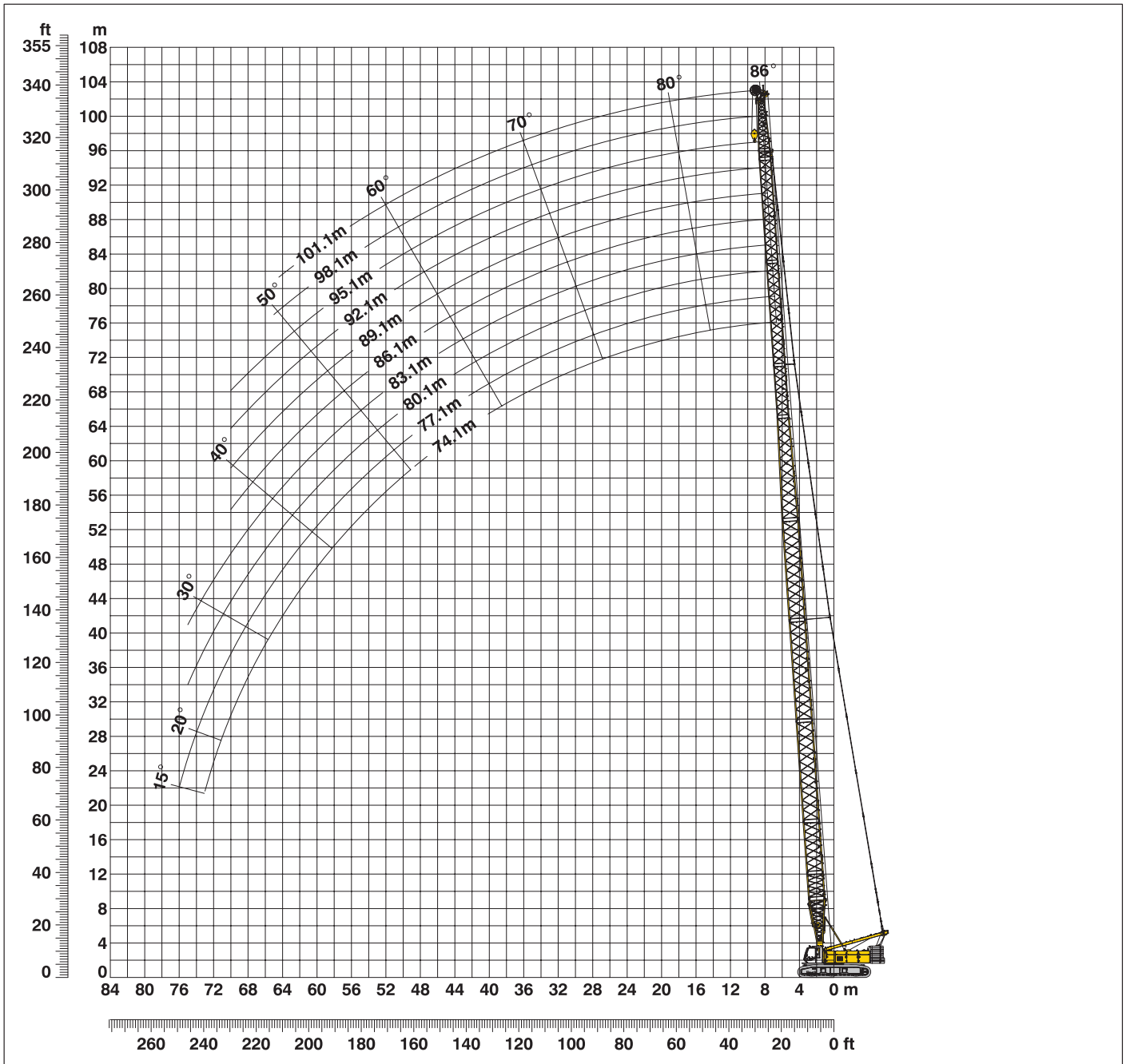
Capacities in metric tons 60.6 t counterweight and 20 t carbody counterweight					
Radius (m)	Boom length in (m)				
	78.5	84.5	90.2	96.2	104.9
7.5	t	t	t	t	t
8	29.8	23.8			
9	29.8	23.1	18.4	13.7	
10	29.2	22.5	18.0	13.6	9.0
12	28.5	21.5	16.8	12.6	8.6
14	27.1	20.5	15.8	11.4	8.2
16	25.9	19.5	14.9	10.6	7.8
18	24.1	18.7	14.0	9.9	7.3
20	21.6	17.9	13.2	9.3	6.9
22	19.9	16.7	12.5	8.6	6.5
24	18.0	15.3	11.6	8.1	6.1
26	16.0	13.8	11.1	7.7	5.7
28	14.6	12.8	10.7	7.4	5.5
30	13.7	11.3	10.2	7.0	5.3
32	12.7	10.8	9.8	6.7	5.1
34	11.8	10.3	9.4	6.4	5.0
36	11.1	9.7	9.0	6.0	4.8
38	10.3	9.0	8.5	5.7	4.5
40	9.4	8.3	7.9	5.5	4.3
42	8.6	7.5	7.3	5.3	4.1
44	7.9	6.8	6.7	5.2	4.0
46	7.4	6.4	6.0	5.1	3.9
48	6.8	6.0	5.6	4.9	3.8
50	6.3	5.6	5.3	4.8	3.8
55	5.7	4.5	4.4	4.1	3.5
60	4.9	3.8	3.6	3.4	2.9
65	4.0	3.1	3.0	2.8	2.3
70	3.4	2.6	2.4	2.3	2.2
75	2.8	2.1	2.0	2.1	

Above lift chart is for reference only. For actual lift duty please refer to lift chart in operator's cab or manual.

L – boom configuration with 62.8 m main boom (No. 2018.xx / No. 1309.xx)

Configuration for L – boom lengths (78.5 m – 104.9 m)											
	Length	Amount of boom and luffing jib extensions									
		Boom foot	7.0 m	1	1	1	1	1	1	1	1
Boom insert	3.0 m	1	1	1	1	1	1	1	1	1	1
Boom insert	6.0 m	1	1	1	1	1	1	1	1	1	1
Boom insert	11.7 m	4	4	4	4	4	4	4	4	4	4
Tapered	7.2 m	1	1	1	1	1	1	1	1	1	1
Luffing insert	3.0 m	1		1		1		1		1	
Luffing insert	6.0 m		1	1			1	1			1
Luffing insert	11.7 m				1	1	1	1	2	2	2
Luffing jib head	5.5 m	1	1	1	1	1	1	1	1	1	1
Max. L – boom length (m)		78.5	81.5	84.5	87.2	90.2	93.2	96.2	98.9	101.1	104.9

L - boom high reach (No. 2018 / 1713.xx) **74.1 m - 101.1 m**
Working range 86° - 15°



Lift chart for L – boom (No. 2018 / 1713.xx)

Main boom length 51.1 m

Capacities in metric tons for boom lengths (74.1 m – 101.1 m) – with 120 kN winches
60.6 t counterweight and 20 t carbody counterweight

Radius (m)	Boom length in (m)										Radius (m)
	74.1	77.1	80.1	83.1	86.1	89.1	92.1	95.1	98.1	101.1	
10	t	t	t	t	t	t	t	t	t	t	10
12	31.3	28.1	26.0	23.0	21.0	19.1	17.4	15.5	14.0	12.5	12
14	29.6	26.5	24.6	21.7	19.8	18.0	16.5	14.6	13.3	10.6	14
16	26.7	24.6	22.6	20.4	18.7	17.1	15.6	13.8	12.5	10.0	16
18	22.9	22.1	21.2	19.3	17.7	16.2	14.8	13.0	11.3	9.3	18
20	21.2	20.6	19.8	18.2	16.6	15.4	14.1	12.4	10.7	8.7	20
22	19.0	18.5	18.0	16.9	15.6	14.6	13.3	10.5	10.2	8.2	22
24	16.7	16.5	16.1	15.5	14.5	13.7	12.7	9.9	9.6	7.6	24
26	15.6	15.0	14.3	14.0	13.4	12.8	11.4	9.5	9.3	7.3	26
28	14.5	14.0	13.4	13.0	12.4	11.5	11.0	9.1	8.9	6.9	28
30	13.4	12.9	12.5	12.2	11.4	11.0	10.6	8.7	8.5	6.6	30
32	12.5	12.1	11.4	11.0	10.7	10.4	9.9	8.4	8.2	6.3	32
34	11.0	11.3	10.9	10.6	10.1	9.7	9.3	8.2	7.8	6.3	34
36	10.3	10.4	10.1	9.9	9.4	9.0	8.6	7.9	7.4	6.2	36
38	9.6	9.6	9.3	9.2	8.8	8.4	8.0	7.6	7.1	6.1	38
40	9.0	8.7	8.5	8.4	8.1	7.8	7.4	7.2	6.7	6.1	40
42	8.4	8.1	7.7	7.7	7.4	7.2	6.9	6.7	6.2	5.9	42
44	7.7	7.5	7.2	7.0	6.7	6.5	6.3	6.2	5.8	5.5	44
46	7.1	7.0	6.7	6.6	6.2	5.9	5.7	5.7	5.4	5.1	46
48	6.4	6.4	6.2	6.1	5.8	5.5	5.1	5.1	4.9	4.7	48
50	6.1	5.8	5.6	5.6	5.4	5.1	4.8	4.7	4.5	4.3	50
55	5.1	5.0	4.7	4.6	4.4	4.2	4.0	4.0	3.7	3.5	55
60	4.1	4.1	3.9	3.9	3.7	3.5	3.2	3.2	3.0	2.9	60
65	3.3	3.3	3.2	3.2	3.0	2.9	2.7	2.6	2.4	2.2	65
70	2.7	2.6	2.5	2.5	2.4	2.3	2.1	2.1	2.0		70
75		2.1									75

Above lift chart is for reference only. For actual lift duty please refer to lift chart in operator's cab or manual.

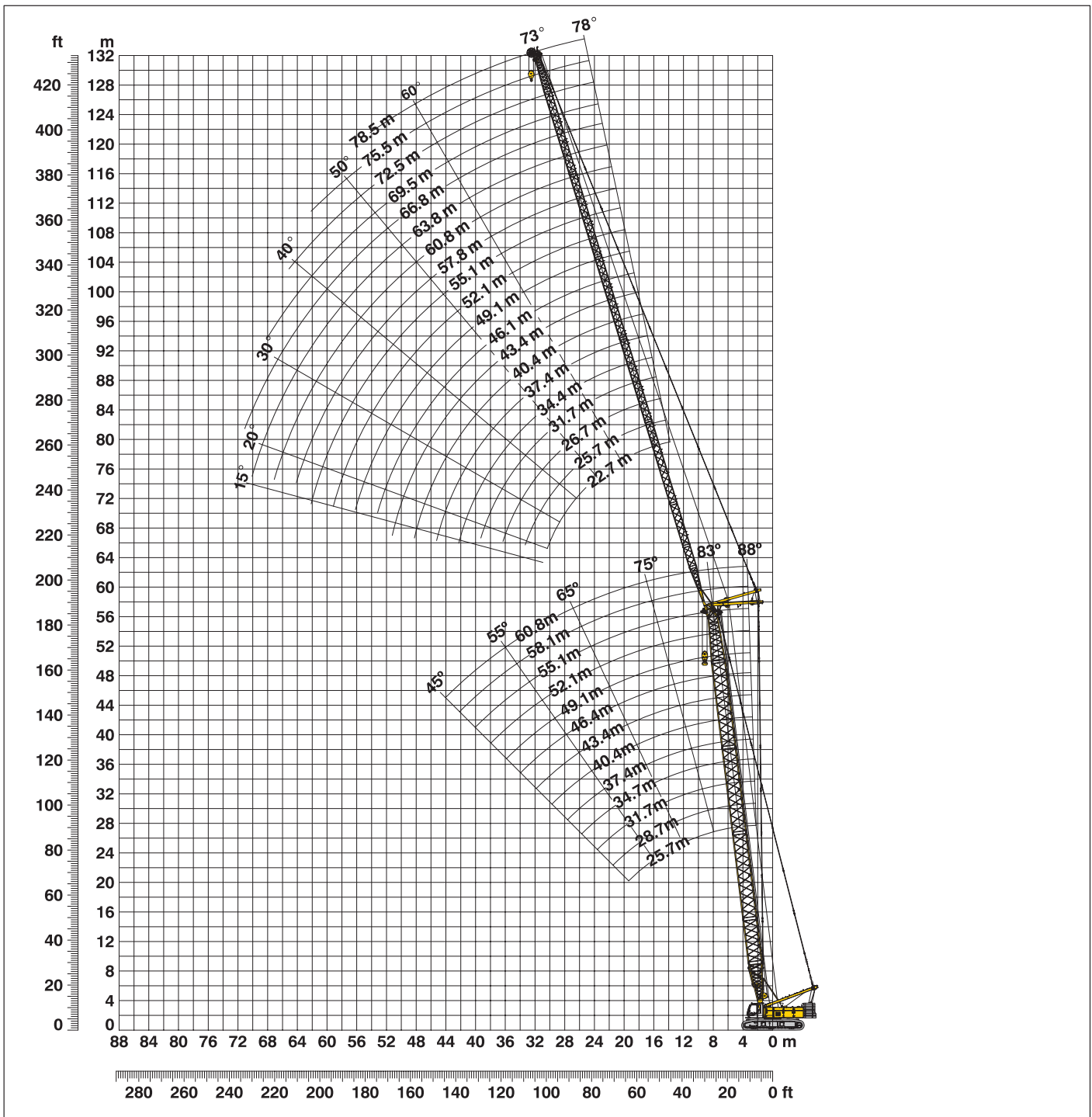
L – boom configuration with 51.1 m main boom (No. 2018.xx / No. 1713.xx)

Configuration for L – boom lengths (74.1 m – 101.1 m)

	Length	Amount of boom and luffing jib extensions									
		1	1	1	1	1	1	1	1	1	1
Boom foot	7.0 m	1	1	1	1	1	1	1	1	1	1
Boom insert	3.0 m	1	1	1	1	1	1	1	1	1	1
Boom insert	6.0 m	1	1	1	1	1	1	1	1	1	1
Boom insert	11.7 m	3	3	3	3	3	3	3	3	3	3
Tapered	12.0 m	1	1	1	1	1	1	1	1	1	1
Luffing insert	3.0 m	1		1		1		1		1	
Luffing insert	6.0 m		1	1			1	1			1
Luffing insert	12.0 m				1	1	1	1	2	2	2
Luffing insert	1.0 m	1	1	1	1	1	1	1	1	1	1
Luffing jib head	7.0 m	1	1	1	1	1	1	1	1	1	1
Max. L – boom length (m)		74.1	77.1	80.1	83.1	86.1	89.1	92.1	95.1	98.1	101.1

Working range - luffing jib (No. 1309.xx) 78° - 15°

Main boom 88° - 45°



Boom configuration for main boom lengths (25.7 m - 60.8 m) – see table 1 on page 12
Jib configuration for jib lengths (22.7 m - 78.5 m)

	Length	Amount of luffing jib extensions																			
Luffing jib foot	5.5 m	1	1	1	1	1	1	1	1	1	1	1	1	1	1	1	1	1	1	1	
Luffing jib insert	3.0 m		1		1		1		1		1		1		1		1		1		
Luffing jib insert	6.0 m			1	1		1	1		1	1		1	1		1	1		1	1	
Luffing jib insert	11.7 m	1	1	1	1	2	2	2	2	3	3	3	3	4	4	4	4	5	5	5	5
Luffing jib head	5.5 m	1	1	1	1	1	1	1	1	1	1	1	1	1	1	1	1	1	1	1	1
Luffing jib length (m)		22.7	25.7	28.7	31.7	34.4	37.4	40.4	43.4	46.1	49.1	52.1	55.1	57.8	60.8	63.8	66.8	69.5	72.5	75.5	78.5

Lift chart – luffing jib (No. 1309.xx)

Main boom angle 88°

Main boom 25.7 m

Radius (m)	Jib length in (m)							
	22.7	28.7	34.4	40.4	49.1	55.1	69.5	78.5
8.6	t	t	t	t	t	t	t	t
10	47.4							
11	46.8	35.0						
13	44.6	34.3	27.1					
15	38.5	32.7	26.2	20.5				
16	31.8	29.7	25.0	19.6	13.7			
19	29.3	27.5	24.4	19.1	13.3	10.3		
22	22.2	21.3	20.2	17.5	12.4	9.6	5.1	
24	17.0	16.4	16.6	15.4	11.1	8.9	4.9	3.2
30	15.3	15.0	14.3	14.0	10.7	8.5	4.7	3.1
36		11.3	10.8	10.2	9.3	7.7	4.4	2.7
40			9.0	8.5	7.6	6.8	4.1	2.5
42				7.6	6.9	6.2	3.9	2.3
46				7.0	6.4	5.9	3.8	2.2
50					5.7	5.3	3.5	2.1
55					5.1	4.7	3.3	2.0
65						4.1	2.9	2.0
							2.1	

Main boom 37.4 m

Radius (m)	Jib length in (m)							
	22.7	28.7	34.4	40.4	49.1	55.1	69.5	78.5
9	t	t	t	t	t	t	t	t
11	39.8							
12	37.7	30.1						
13	33.9	29.3	23.4					
15	31.7	28.3	22.9	18.3				
16	26.6	25.6	21.9	17.6	12.4			
19	24.8	22.3	21.5	17.3	12.2	9.8		
22	19.2	18.7	17.8	16.0	11.1	8.9	4.7	
24	15.8	14.8	14.6	13.5	10.3	8.3	4.6	3.1
30	14.3	13.5	12.9	12.1	9.9	7.9	4.5	2.9
36	12.0	12.3	11.2	11.0	9.4	7.7	4.4	2.8
42		10.7	10.0	9.1	8.3	7.3	4.2	2.6
46			8.3	7.6	6.7	6.2	3.9	2.4
50				6.5	5.8	5.2	3.6	2.2
55					5.2	4.7	3.4	2.1
60					4.6	4.2	3.1	2.2
						3.7	2.7	
							2.2	

Main boom 43.4 m

Radius (m)	Jib length in (m)							
	22.7	28.7	34.4	40.4	49.1	55.1	69.5	78.5
9.2	t	t	t	t	t	t	t	t
11	34.9							
12	33.4	27.5						
13	30.8	26.9	21.5					
15	28.4	25.8	21.2	16.9				
16	24.3	22.9	20.0	16.4	11.3			
19	22.4	21.4	19.3	16.1	11.2	9.3		
22	17.8	17.3	16.4	15.1	10.5	8.5	5.3	
24	14.9	13.9	13.5	12.6	9.9	7.9	4.4	3.0
26	13.5	12.7	12.1	11.2	9.4	7.6	4.3	2.9
32	12.4	11.3	10.5	10.4	8.8	7.4	4.2	2.8
36		9.4	8.8	8.1	7.3	6.6	3.9	2.5
42			7.9	7.2	6.1	5.8	3.8	2.3
50				6.1	5.4	4.8	3.5	2.1
55					4.4	3.9	2.9	2.1
60						3.5	2.5	
							2.0	

Main boom 55.1 m

Radius (m)	Jib length in (m)							
	22.7	28.7	34.4	40.4	49.1	55.1	69.5	78.5
9.6	t	t	t	t	t	t	t	t
11	26.3							
13	25.3	21.4						
14	22.2	20.2	17.4					
16	20.9	19.1	17.0	14.0				
17	18.2	16.9	15.6	13.5	9.6			
20	17.1	15.9	14.7	13.0	9.5	7.6		
22	14.2	13.3	12.4	11.5	8.9	7.2	3.9	
24	12.9	11.3	11.2	10.3	8.5	6.9	3.9	2.6
26	11.4	10.8	10.2	9.1	8.0	6.7	3.8	2.5
32	10.6	10.1	9.2	8.4	7.4	6.4	3.7	2.3
38		7.9	7.6	6.7	5.9	5.3	3.5	2.2
42			6.1	5.7	4.9	4.4	3.3	2.3
44				5.1	4.5	4.0	3.0	2.2
50					4.3	3.8	2.8	2.0
55						3.7	3.2	2.2
							2.9	

Main boom 58.1 m

Radius (m)	Jib length in (m)						
	22.7	28.7	34.4	40.4	49.1	55.1	66.8
9.7	t	t	t	t	t	t	t
11	24.2						
13	22.9	19.1					
14	20.8	18.6	15.8				
16	19.5	17.7	15.6	13.0			
17	17.1	15.9	14.5	12.5	9.2		
19	16.1	15.0	13.8	12.1	9.0	7.3	
20	14.0	13.2	12.4	11.3	8.8	7.1	4.7
22	13.3	12.6	11.2	10.9	8.5	6.9	3.9
24	10.4	10.4	10.4	9.9	8.1	6.7	3.7
26	8.9	9.5	9.2	8.9	7.6	6.4	3.6
32	8.2	9.2	7.9	8.2	7.0	6.1	3.5
38		6.9	6.9	6.6	5.6	5.0	3.2
42			6.1	5.5	4.6	4.1	3.0
50				5.0	4.2	3.6	2.7
55					3.5	3.0	2.2
						2.7	

Main boom 60.8 m

Radius (m)	Jib length in (m)				
	22.7	28.7	34.4	40.4	49.1
9.8	t	t	t	t	t
12	22.4				
13	20.5	18.0			
14	19.4	17.4	15.2		
16	18.3	16.6	14.8	9.8	
18	16.2	15.0	13.6	9.1	7.1
20	14.4	13.3	12.4	8.6	6.6
22	12.8	11.6	10.9	8.1	6.3
24	11.2	10.6	9.9	7.7	6.0
26	10.3	9.6	9.1	7.3	5.8
28	9.0	8.9	8.2	7.0	5.5
32		8.2	7.6	6.6	5.3
38		7.3	6.8	5.9	4.9
44			5.8	5.0	4.3
48				4.3	3.7
50					3.3
					3.2

Capacities in metric tons with luffing jib (No. 1309.xx) 60.6 t counterweight + 20 t carbody counterweight. Above lift chart is for reference only. For actual lift duty and complete chart with all available configurations please refer to lift chart in operator's cab or manual.

Lift chart - luffing jib (No. 1309.xx)

Main boom angle 83°

Main boom 25.7 m

Radius (m)	Jib length in (m)							
	22.7	28.7	34.4	40.4	49.1	55.1	69.5	78.5
12.8	t	t	t	t	t	t	t	t
15	44.2							
17	40.1	32.1						
18	36.1	30.6	24.6					
22	32.8	29.7	24.1	18.7				
24	21.6	21.5	21.2	17.1	11.5			
28	18.6	19.3	19.4	16.1	11.0	8.8		
30	12.1	15.7	15.7	14.2	10.4	8.2	4.6	
32		14.2	14.5	13.3	10.1	8.0	4.5	2.8
36		13.0	13.3	12.4	9.8	7.8	4.4	2.7
38			11.3	10.4	9.3	7.3	4.2	2.5
42			10.4	9.6	8.9	7.0	4.1	2.5
44				8.5	8.3	6.6	3.9	2.3
50				7.8	7.9	6.4	3.8	2.2
55					6.7	5.8	3.5	2.1
60						5.1	3.2	2.1
70							3.0	2.0
							2.4	

Main boom 37.4 m

Radius (m)	Jib length in (m)							
	22.7	28.7	34.4	40.4	49.1	55.1	69.5	78.5
14.2	t	t	t	t	t	t	t	t
16	36.8							
18	33.9	27.7						
20	30.6	26.6	21.3					
22	26.4	24.6	20.6	16.5				
24	21.8	21.7	19.7	15.9	11.1			
28	19.2	18.7	18.7	15.2	10.4	8.2		
30	15.2	15.0	14.7	13.7	9.8	7.8	5.1	
32		12.7	12.5	11.6	9.3	7.4	4.3	2.7
34		11.4	11.1	11.2	9.1	7.2	4.2	2.6
40			9.3	9.0	8.1	6.6	3.9	2.3
46				7.3	6.9	5.9	3.6	2.1
48					6.5	5.7	3.5	2.1
50					6.2	5.5	3.4	2.0
55						4.9	3.2	2.1
60						4.2	2.9	
65							2.7	
70							2.3	

Main boom 43.4 m

Radius (m)	Jib length in (m)							
	22.7	28.7	34.4	40.4	49.1	55.1	69.5	78.5
14.9	t	t	t	t	t	t	t	t
17	31.1							
19	28.5	24.8						
22	25.8	23.0	19.5					
24	20.0	20.2	18.2	14.9				
26	18.0	17.8	16.8	14.3	9.9			
30	15.9	15.2	15.4	13.8	9.6	7.7		
32	12.0	13.1	12.5	12.1	9.1	7.3	4.1	
34		12.1	11.4	10.9	8.9	7.1	4.1	2.6
38		11.3	10.8	10.3	8.6	7.0	4.0	2.5
40			9.6	9.2	8.0	6.6	3.8	2.4
46			9.0	8.6	7.6	6.4	3.8	2.3
50				7.1	6.5	5.8	3.5	2.1
55					5.8	5.3	3.3	2.0
60					5.0	4.7	3.1	2.1
70						4.1	2.9	
							2.2	

Main boom 55.1 m

Radius (m)	Jib length in (m)							
	22.7	28.7	34.4	40.4	49.1	55.1	69.5	78.5
16.4	t	t	t	t	t	t	t	t
19	21.2							
20	19.2	17.2						
22	18.3	16.6	14.6					
24	16.7	15.2	13.8	11.7				
26	13.8	13.0	11.8	10.6	8.3	7.3		
30	11.1	11.3	10.5	9.6	7.8	6.4		
32		10.6	9.8	9.0	7.5	6.3	3.7	
34		9.8	9.3	8.5	7.2	6.1	3.6	2.3
36		9.1	8.7	8.0	6.9	6.0	3.6	2.2
40			7.8	7.2	6.2	5.6	3.4	2.1
42			7.3	6.7	5.9	5.3	3.4	2.0
48				5.6	5.1	4.7	3.1	2.1
50					4.8	4.4	3.0	2.1
55					4.3	3.8	2.8	
60						3.4	2.4	
65							2.0	

Main boom 58.1 m

Radius (m)	Jib length in (m)						
	22.7	28.7	34.4	40.4	49.1	55.1	66.8
16.7	t	t	t	t	t	t	t
19	19.3						
22	17.6	15.8					
24	15.5	14.0	12.7	11.0			
26	14.1	12.9	11.6	10.4			
28	13.0	12.1	10.9	9.8	7.9		
30	10.2	11.2	10.4	9.4	7.6	6.4	
34	9.3	10.6	9.8	8.9	7.3	6.2	3.7
36		9.3	8.8	8.0	6.7	5.8	3.5
40		8.7	8.3	7.5	6.4	5.6	3.4
42			7.3	6.8	5.9	5.2	3.3
46			6.9	6.4	5.6	5.0	3.2
48				5.8	5.1	4.6	3.1
50				5.4	4.8	4.4	3.0
55					4.5	4.2	2.9
60					4.0	3.6	2.7
						3.2	2.3

Main boom 60.8 m

Radius (m)	Jib length in (m)				
	22.7	28.7	34.4	40.4	49.1
17.1	t	t	t	t	t
19	17.6				
22	16.4	14.5			
24	14.4	13.0	11.4		
26	13.2	11.7	10.7	8.6	
28	12.3	11.1	10.1	8.1	6.5
30	11.3	10.5	9.5	7.8	6.2
32	10.5	9.9	9.1	7.5	6.0
36	9.2	9.4	8.6	7.2	5.8
38		8.4	7.8	6.6	5.4
40		7.6	7.3	6.3	5.3
42			7.0	6.0	5.1
46			6.6	5.7	4.9
48				5.2	4.5
50				4.9	4.2
55					4.0
					3.6

Capacities in metric tons with luffing jib (No. 1309.xx) 60.6 t counterweight + 20 t carbody counterweight. Above lift chart is for reference only. For actual lift duty and complete chart with all available configurations please refer to lift chart in operator's cab or manual.

Lift chart – luffing jib (No. 1309.xx)

Main boom angle 75°

Main boom 25.7 m

Radius (m)	Jib length in (m)							
	22.7	28.7	34.4	40.4	49.1	55.1	69.5	78.5
19.2	t	t		t	t	t	t	t
22	24.0	28.4						
26	23.4	23.1	21.1					
28	21.6	21.4	20.2	16.0				
30	19.8	19.6	18.6	15.1				
32		17.7	17.1	14.3	10.4			
34		16.2	15.8	13.4	10.1	7.9		
36		14.7	14.3	12.7	9.9	7.7		
40			12.3	11.2	9.4	7.2	4.1	
42			11.6	10.8	9.1	7.0	4.0	
44				10.3	8.8	6.7	4.0	2.3
48				9.0	8.2	6.4	3.8	2.2
50					7.9	6.2	3.7	2.1
55					6.9	5.8	3.4	2.2
60						5.2	3.2	2.1
65							2.9	2.0
75							2.6	

Main boom 37.4 m

Radius (m)	Jib length in (m)							
	22.7	28.7	34.4	40.4	49.1	55.1	69.5	78.5
22.3	t	t	t	t	t	t	t	t
26	26.1	21.7						
28	20.6	20.1	19.1					
30	18.9	18.7	18.2	14.9				
34	16.2	16.0	15.8	13.9	9.6			
36		14.9	14.8	13.3	9.5	7.9		
40		13.1	12.9	11.0	9.1	7.1		
42			12.1	10.5	8.9	6.9		
44			11.4	9.8	8.7	6.7	3.9	
46				9.2	8.5	6.5	3.8	2.5
48				8.8	8.3	6.3	3.7	2.2
50				8.3	8.1	6.2	3.6	2.1
55					7.4	5.9	3.4	2.2
60					6.3	5.4	3.2	2.1
65						4.8	3.0	
70							2.8	
75							2.7	

Main boom 43.4 m

Radius (m)	Jib length in (m)							
	22.7	28.7	34.4	40.4	49.1	55.1	69.5	78.5
23.8	t	t	t	t	t	t	t	t
28	22.4	18.7						
30	19.7	17.7	16.2					
32	18.3	17.0	16.6	13.7				
36	12.1	14.5	13.9	12.7	9.0			
38		13.5	13.3	12.2	8.9	6.9		
40		12.7	12.5	11.1	8.7	6.8		
44			11.1	10.1	8.4	6.6	3.7	
46			10.5	9.5	8.3	6.4	3.7	
48				9.0	8.1	6.3	3.6	2.1
50				8.6	7.9	6.1	3.6	2.1
55					7.3	5.8	3.4	2.2
60					6.4	5.4	3.1	2.1
65						4.9	3.0	
75							2.6	
80							2.5	

Main boom 55.1 m

Radius (m)	Jib length in (m)							
	22.7	28.7	34.4	40.4	49.1	55.1	69.5	78.5
26.9	t	t	t	t	t	t	t	t
30	15.0	12.6						
32	13.9	12.1	10.9					
36	11.7	10.7	9.9	8.7				
38	11.3	10.3	9.4	8.4	7.4			
42		9.6	8.6	7.7	6.4	5.5		
44		9.3	8.3	7.4	6.2	5.4		
46			8.0	7.1	6.0	5.2		
48			7.8	6.9	5.8	5.1	3.2	
50			7.5	6.5	5.6	4.9	3.1	
55				6.2	5.2	4.6	3.0	2.1
60					4.8	4.3	2.9	
65						4.0	2.7	
70						3.8	2.5	
75							2.3	
80							2.1	

Main boom 58.1 m

Radius (m)	Jib length in (m)						
	22.7	28.7	34.4	40.4	49.1	55.1	66.8
27.6	t	t	t	t	t	t	t
32	13.2	10.5					
34	11.5	10.0	9.0				
36	11.0	9.6	8.7	7.7			
38	10.5	9.2	8.4	7.4			
40	10.1	8.9	8.0	7.1	5.9		
42		8.5	7.7	6.8	5.7	4.8	
44		8.3	7.4	6.5	5.5	4.8	
48			6.8	6.1	5.1	4.5	2.9
50			6.6	5.8	5.0	4.4	2.9
55				5.4	4.6	4.1	2.7
65					4.0	3.5	2.3
70						3.3	2.1
80							2.1

Main boom 60.8 m

Radius (m)	Jib length in (m)				
	22.7	28.7	34.4	40.4	49.1
28.3	t	t	t	t	t
32	11.8	9.5			
34	10.4	9.1	8.1		
36	10.0	8.7	7.8	7.0	
38	9.6	8.2	7.5	6.2	
40	9.3	7.9	7.2	5.9	4.8
42		7.5	6.8	5.7	4.7
44		7.3	6.6	5.6	4.6
46		7.1	6.3	5.4	4.4
48			6.1	5.2	4.3
50			5.9	5.0	4.2
55				4.7	3.9
60					3.6
65					3.4

Capacities in metric tons with luffing jib (No. 1309.xx) 60.6 t counterweight + 20 t carbody counterweight. Above lift chart is for reference only. For actual lift duty and complete chart with all available configurations please refer to lift chart in operator's cab or manual.

Lift chart - luffing jib (No. 1309.xx)

Main boom angle 65°

Main boom 25.7 m

Radius (m)	Jib length in (m)							
	22.7	28.7	34.4	40.4	49.1	55.1	69.5	78.5
26.8	t	t	t	t	t	t	t	t
32	21.4	17.3	17.1					
34	16.0	15.8	15.3					
38		13.8	13.1	13.2				
40		12.9	12.1	12.5				
42			10.5	11.8	9.5			
46			9.2	10.4	8.9	6.8		
48				9.9	8.7	6.7		
50				9.4	8.4	6.5		
55					7.7	6.1	3.6	
60					6.7	5.6	3.3	2.1
65						5.1	3.1	2.0
70							2.9	
75							2.8	
80							2.7	

Main boom 37.4 m

Radius (m)	Jib length in (m)							
	22.7	28.7	34.4	40.4	49.1	55.1	69.5	78.5
31.8	t	t	t	t	t	t	t	t
36	16.0	13.7	13.4					
40	12.0	11.8	11.6					
42		11.1	10.9	10.5				
44		10.4	10.2	9.9				
46		9.8	9.6	9.4				
48			9.1	8.9	8.5			
50			8.6	8.4	8.0			
55				7.3	7.0	6.1		
60					6.1	5.8	3.3	
65					5.4	5.2	3.1	2.0
70						4.6	3.0	
75							2.8	
80							2.7	
85							2.6	

Main boom 43.4 m

Radius (m)	Jib length in (m)						
	22.7	28.7	34.4	40.4	49.1	55.1	69.5
34.3	t	t	t	t	t	t	t
38	13.7	11.8					
40	12.1	11.1					
42	11.4	11.1					
46	10.7	10.4	10.2				
48		9.2	9.0	8.7			
50		8.7	8.5	8.3			
55			8.1	7.8	7.4		
60				6.8	6.4	6.1	
65				6.0	5.6	5.4	
70					5.0	4.7	3.1
85						4.1	2.9
							2.3

Main boom 55.1 m

Radius (m)	Jib length in (m)						
	22.7	28.7	34.4	40.4	49.1	55.1	69.5
39.3	t	t	t	t	t	t	t
40	9.9						
42	9.7						
44	9.2						
46	8.7	8.3					
48	8.2	7.8	7.4				
50	7.7	7.5	7.1				
55		7.1	6.7	6.3			
60			6.0	5.5	4.9		
65				4.9	4.3	3.9	
70				4.4	3.8	3.4	
75					3.4	3.0	2.1
						2.6	

Main boom 58.1 m

Radius (m)	Jib length in (m)					
	22.7	28.7	34.4	40.4	49.1	55.1
40.5	t	t	t	t	t	t
44	9.0	7.7				
46	8.2	7.3				
48	7.8	7.0	6.6			
50	7.4	6.6	6.2			
55		5.9	5.5	5.1		
60			4.9	4.5	3.9	3.5
65				4.0	3.4	3.0
70					3.0	2.6
75					2.7	2.3

Main boom 60.8 m

Radius (m)	Jib length in (m)					
	22.7	28.7	34.4	40.4	49.1	
41.7	t	t	t	t	t	
44	8.2	7.7				
46	7.4	6.9				
48	7.0	6.5				
50	6.7	6.2	5.8			
55		5.5	5.1	4.7		
60			4.6	4.2	3.6	
65				3.7	3.1	
70					2.7	
75					2.4	

Capacities in metric tons with luffing jib (No. 1309.xx) 60.6 t counterweight + 20 t carbody counterweight. Above lift chart is for reference only. For actual lift duty and complete chart with all available configurations please refer to lift chart in operator's cab or manual.

Lift chart – luffing jib (No. 1309.xx)

Main boom angle 45°

Main boom 25.7 m

Radius (m)	Jib length in (m)						
	22.7	28.7	34.4	40.4	49.1	55.1	69.5
39.5	t	t	t	t	t	t	t
42	11.9						
46		9.6					
48		9.0					
50			8.3				
55				7.1			
60				6.2			
65					5.2		
70						4.3	
80							2.8
85							2.5

Main boom 37.4 m

Radius (m)	Jib length in (m)					
	22.7	28.7	34.4	40.4	49.1	55.1
47.8	t	t	t	t	t	t
48	7.7					
50	7.6					
55	7.2	6.1				
60			5.1			
65				4.3		
70					3.4	
75					2.9	2.7
80						2.3

Main boom 43.4 m

Radius (m)	Jib length in (m)			
	22.7	28.7	34.4	40.4
52.1	t	t	t	t
55	5.4			
60	5.0	4.1		
65			3.4	
70				2.7

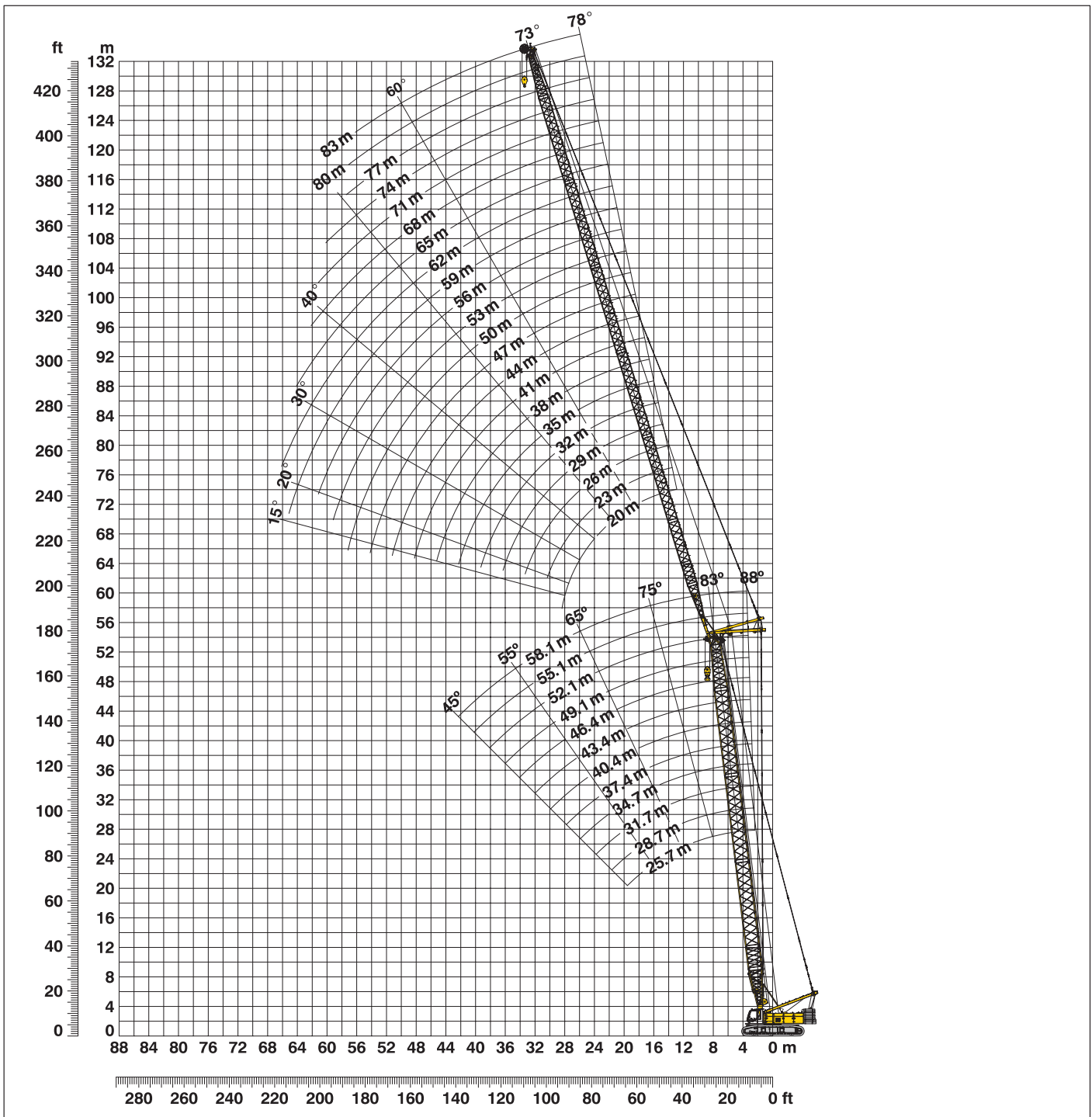
Main boom 55.1 m

Radius (m)	Jib length in (m)					
	22.7					
60.3	t					
	3.2					

Capacities in metric tons with luffing jib (No. 1309.xx) 60.6 t counterweight + 20 t carbody counterweight. Above lift chart is for reference only. For actual lift duty and complete chart with all available configurations please refer to lift chart in operator's cab or manual.

Working range - luffing jib (No. 1713.xx) 78° - 15°

Main boom 88° - 45°



Boom configuration for main boom lengths (25.7 m - 58.1 m) – see table 1 on page 12
Jib configuration for jib lengths (20 m - 83 m)

	Length	Amount of luffing jib extensions																					
Luffing jib foot	7.0 m	1	1	1	1	1	1	1	1	1	1	1	1	1	1	1	1	1	1	1	1		
Luffing jib insert	3.0 m		1		1		1		1		1		1		1		1		1		1		
Luffing jib insert	6.0 m	1	1			1	1			1	1			1	1			1	1		1		
Luffing jib insert	12.0 m			1		1	1	2	2	2	2	3	3	3	3	4	4	4	4	5	5	5	5
Luffing jib head	7.0 m	1	1	1	1	1	1	1	1	1	1	1	1	1	1	1	1	1	1	1	1	1	1
Luffing jib length (m)		20	23	26	29	32	35	38	41	44	47	50	53	56	59	62	65	68	71	74	77	80	83

Lift chart – luffing jib (No. 1713.xx)

Main boom angle 88°

Main boom 25.7 m

Radius (m)	Jib length in (m)							
	20	29	35	41	50	56	71	83
8	59.2							
10	52.3	43.5						
12	42.8	39.4	34.7					
13	38.1	36.2	33.2	28.2				
15	31.5	30.2	28.9	26.6	20.3			
16	28.8	27.6	26.5	25.3	19.9	16.5		
19	20.9	21.1	19.9	20.2	17.9	15.6	9.1	
22	17.0	16.5	16.2	15.8	14.9	13.7	8.7	5.8
26		13.0	12.1	12.3	10.7	11.0	8.1	5.4
30		10.8	10.3	9.9	9.3	8.8	7.5	5.1
32			9.3	9.2	8.5	8.0	6.9	5.0
36			7.9	7.7	6.9	6.7	5.7	4.6
38				7.0	6.4	6.0	5.1	4.3
42				6.2	5.4	5.0	4.4	3.7
46					4.5	4.3	3.6	3.1
50					4.0	3.5	2.9	2.5
55						3.0	2.3	

Main boom 37.4 m

Radius (m)	Jib length in (m)							
	20	29	35	41	50	56	71	83
8.4	47.0							
11	38.8	34.2						
12	34.3	32.1	28.4					
13	31.8	29.7	27.3	23.3				
15	27.2	25.1	22.9	22.0	17.2			
16	24.9	22.2	21.6	20.9	17.1	14.0		
20	17.5	17.0	16.2	15.6	14.5	13.1	7.9	
22	15.7	14.3	14.1	13.5	12.4	11.2	7.7	5.0
26		11.0	10.6	10.7	10.0	9.3	7.0	4.8
32		8.8	8.4	7.9	7.4	6.8	5.7	4.5
36			7.2	6.8	6.1	5.8	4.7	4.0
38			6.6	6.1	5.7	5.3	4.2	3.7
40				5.8	5.3	4.8	3.9	3.3
42				5.4	4.9	4.5	3.6	3.0
48					3.9	3.6	2.7	2.1
50					3.7	3.2	2.4	
55						2.8		

Main boom 43.4 m

Radius (m)	Jib length in (m)							
	20	29	35	41	50	56	71	83
8.6	40.2							
11	34.0	29.9						
12	31.8	28.3	24.9					
14	26.8	24.5	22.8	20.4				
15	25.0	22.7	21.4	19.5	15.5			
17	20.8	19.6	18.4	17.3	15.0	12.7		
20	16.6	15.8	14.9	14.1	12.9	11.7	7.2	
22	14.6	13.6	13.0	12.4	11.0	10.6	7.0	5.1
26		10.8	10.1	9.9	9.1	8.3	6.3	4.4
32		8.8	7.9	7.4	6.8	6.1	5.0	3.9
36			6.9	6.4	5.6	5.3	4.2	3.4
38			6.4	5.8	5.3	4.9	3.8	3.1
42				5.2	4.6	4.2	3.2	2.5
44				4.8	4.3	3.9	2.9	2.2
50					3.5	3.0	2.1	
55						2.6		

Main boom 52.1 m

Radius (m)	Jib length in (m)							
	20	29	35	41	50	56	71	83
8.9	31.3							
11	28.4	23.6						
13	24.5	21.9	19.6					
14	22.3	20.5	18.7	16.5				
16	19.6	17.9	16.6	15.3	12.6			
17	18.1	16.8	15.5	14.4	12.3	10.2		
20	14.8	13.8	12.9	11.9	10.6	9.5	5.0	
24	11.6	10.9	10.3	9.4	8.4	7.6	4.7	3.1
28		9.0	8.3	7.9	6.8	6.2	4.3	3.0
32		7.8	7.2	6.5	5.8	5.2	3.8	2.7
36			6.3	5.7	4.9	4.5	3.2	2.3
38			5.8	5.3	4.6	4.2	2.9	2.1
44				4.4	3.8	3.3	2.2	
46					3.4	3.1	2.0	
50					3.1	2.6		
55						2.2		

Main boom 55.1 m

Radius (m)	Jib length in (m)						
	20	29	35	41	50	56	68
9	28.9						
11	26.6	21.7					
13	22.7	20.3	18.1				
14	21.3	19.1	17.3	15.2			
16	18.7	16.7	15.5	14.1	11.4		
17	17.3	15.7	14.5	13.4	11.3	9.5	
20	14.2	13.0	12.1	11.2	9.9	8.8	5.1
22	12.6	11.0	10.7	10.0	8.8	8.0	4.9
24	11.2	10.3	9.7	8.8	7.9	7.1	4.7
32		7.4	6.8	6.2	5.5	4.9	3.7
38			5.5	5.0	4.4	4.0	2.8
42				4.5	3.9	3.4	2.4
44				4.2	3.6	3.2	2.2
46					3.3	3.0	2.1
50					3.0	2.5	
55						2.1	

Main boom 58.1 m

Radius (m)	Jib length in (m)				
	20	29	35	41	50
9.1	26.3				
12	22.9	19.5			
13	21.5	18.8	16.6		
14	20.0	17.7	16.0	14.0	
16	17.6	15.6	14.4	13.1	8.5
18	15.3	13.8	12.8	11.5	7.9
20	13.5	12.3	11.0	10.4	7.5
22	11.8	10.7	10.0	9.4	7.1
24	10.7	9.7	9.1	8.2	6.7
28		8.1	7.4	6.9	5.7
32		7.1	6.4	5.8	4.9
36			5.7	5.1	4.2
38			5.3	4.8	3.9
42				4.3	3.5
44				4.0	3.3
50					2.7

Capacities in metric tons with luffing jib (No. 1713.xx) 60.6 t counterweight + 20 t carbody counterweight. Above lift chart is for reference only. For actual lift duty and complete chart with all available configurations please refer to lift chart in operator's cab or manual.

Lift chart - luffing jib (No. 1713.xx)

Main boom angle 83°

Main boom 25.7 m

Radius (m)	Jib length in (m)							
	20	29	35	41	50	56	71	83
12	51.8							
15	42.7	37.8						
17	35.9	33.6	30.8					
19	29.2	29.6	28.0	25.0				
22	21.6	21.6	22.0	22.2	17.8			
24	18.8	19.3	19.9	19.8	17.1	14.3		
28		15.2	14.8	15.8	14.9	13.3	8.0	
32		12.2	12.4	12.3	12.6	11.9	7.6	5.1
34		10.8	10.6	11.1	10.6	11.4	7.4	5.0
38			9.2	9.4	9.2	9.5	6.9	4.7
40				8.5	8.5	8.4	6.6	4.6
44				7.3	7.0	7.0	6.0	4.4
46					6.1	6.4	5.6	4.2
50					5.3	5.1	4.9	3.8
55						4.1	4.0	3.3
60						3.2	3.0	2.7
65							2.1	2.1

Main boom 37.4 m

Radius (m)	Jib length in (m)							
	20	29	35	41	50	56	71	83
13.4	40.7							
16	34.3	30.1						
18	30.1	28.1	25.0					
20	24.8	24.7	23.0	20.4				
24	17.6	18.2	17.8	17.6	14.8	12.0		
26	15.5	15.6	15.9	15.8	14.3	11.8		
30		12.9	12.5	12.9	12.3	11.2	7.0	
32		11.6	11.1	10.9	11.0	10.6	6.9	5.1
34		10.8	10.4	10.3	10.2	10.0	6.7	4.6
36			9.5	9.6	9.3	9.3	6.5	4.5
40			8.2	7.9	7.7	7.7	6.1	4.3
42				7.3	7.1	6.8	5.9	4.2
46				6.4	6.0	5.8	5.1	3.9
48					5.3	5.4	4.7	3.8
50						5.0	4.9	4.3
55						4.2	3.9	3.4
60							3.2	2.7

Main boom 43.4 m

Radius (m)	Jib length in (m)							
	20	29	35	41	50	56	71	83
14.1	33.7							
17	29.6	25.2						
19	26.1	23.1	20.8					
22	20.0	19.3	18.4	16.7				
24	16.7	17.1	16.4	15.4	13.3			
26	15.1	14.7	14.7	14.1	12.5	10.8		
30		12.2	11.7	11.2	11.0	10.0	6.4	
34		10.5	10.2	9.7	9.5	8.9	6.2	4.2
36		9.5	9.2	9.0	8.7	8.3	6.0	4.1
38			8.5	8.3	7.9	7.6	5.8	4.1
42			7.2	6.9	6.6	6.3	5.4	3.9
44				6.5	6.2	5.7	5.1	3.7
46				6.1	5.7	5.3	4.7	3.6
50					4.7	4.6	3.9	3.3
55					4.1	3.7	3.0	2.6
60						3.1	2.4	

Main boom 52.1 m

Radius (m)	Jib length in (m)							
	20	29	35	41	50	56	71	83
15.2	25.7							
18	22.3	19.2						
20	20.1	17.8	15.9					
22	17.9	16.2	14.8	13.3				
24	15.8	14.7	13.7	12.4	10.2			
26	13.9	13.3	12.5	11.5	9.7	8.7		
28	12.5	12.1	11.4	10.8	9.2	8.1		
32		10.3	9.8	9.3	8.0	7.3	4.4	
34		9.5	9.1	8.6	7.5	6.9	4.3	2.7
36		8.9	8.4	7.9	7.0	6.6	4.1	2.7
42			6.8	6.2	5.6	5.3	3.6	2.3
44				5.8	5.3	4.8	3.4	2.2
48				5.1	4.6	4.2	2.9	2.2
50					4.2	3.9	2.7	2.1
55					3.7	3.2	2.2	
60						2.7		

Main boom 55.1 m

Radius (m)	Jib length in (m)						
	20	29	35	41	50	56	68
15.6	22.8						
19	19.8	17.1					
20	18.9	16.3	14.4				
22	17.1	14.9	13.5	11.6			
26	13.5	12.5	11.4	10.5	8.9		
28	12.3	11.5	10.8	9.9	8.4	7.4	
30		10.7	10.0	9.3	8.0	7.0	4.4
32		9.9	9.2	8.7	7.6	6.6	4.3
36		8.5	8.0	7.4	6.7	6.0	3.9
38			7.3	6.9	6.2	5.7	3.8
42			6.5	5.9	5.3	5.0	3.4
44				5.5	5.0	4.6	3.2
48				4.9	4.4	4.0	2.8
50					4.0	3.7	2.7
55					3.5	3.0	2.2
60						2.6	

Main boom 58.1 m

Radius (m)	Jib length in (m)				
	20	29	35	41	50
15.9	20.9				
19	18.1	15.5			
22	15.7	13.7	12.4		
24	14.3	12.6	11.2	10.1	
26	12.7	11.5	10.5	9.5	6.9
28	11.7	10.9	9.9	8.9	6.7
30		10.1	9.3	8.4	6.4
34		8.6	8.1	7.4	5.7
38		7.4	6.9	6.5	5.2
40			6.5	6.1	5.0
42			6.1	5.6	4.7
44				5.2	4.5
46				5.0	4.2
48				4.7	3.9
50					3.6
55					3.1

Capacities in metric tons with luffing jib (No. 1713.xx) 60.6 t counterweight + 20 t carbody counterweight. Above lift chart is for reference only. For actual lift duty and complete chart with all available configurations please refer to lift chart in operator's cab or manual.

Lift chart – luffing jib (No. 1713.xx)

Main boom angle 75°

Main boom 25.7 m

Radius (m)	Jib length in (m)							
	20	29	35	41	50	56	71	83
18.1	t	t	t	t	t	t	t	t
22	24.0	27.7						
26	28.5	22.4						
28	23.2	20.8	20.0					
32	19.7	17.3	16.6	16.2	15.1			
34		15.5	15.3	14.7	13.7	12.6		
36		13.8	13.9	13.2	12.4	12.0		
40			11.4	11.1	10.8	10.4	6.9	
42			10.5	10.5	10.0	9.6	6.9	
46				9.2	8.7	8.0	6.4	4.4
48				8.3	8.0	7.5	6.1	4.3
50					7.3	7.0	5.7	4.2
55					6.1	5.6	4.7	3.9
60						4.9	4.0	3.3
70							2.8	2.3
75							2.2	

Main boom 37.4 m

Radius (m)	Jib length in (m)							
	20	29	35	41	50	56	71	83
21.1	t	t	t	t	t	t	t	t
26	24.0	20.9						
28	22.1	19.3	18.6					
30	20.1	18.0	17.3	16.6				
32	18.5	16.7	16.1	15.5				
34	12.1	15.4	15.1	14.5	13.4			
38		13.4	13.1	12.8	11.8	11.1		
40		11.7	12.2	11.8	11.4	10.8		
44			10.8	10.6	10.1	9.6	6.2	
46			9.8	9.9	9.6	9.0	6.1	
48				9.4	9.0	8.3	6.0	4.5
50				8.6	8.3	7.7	5.8	3.9
55					6.8	6.5	5.1	3.7
60					5.5	5.3	4.4	3.4
65						4.4	3.8	3.0
75							2.6	2.1

Main boom 43.4 m

Radius (m)	Jib length in (m)							
	20	29	35	41	50	56	71	83
22.7	t	t	t	t	t	t	t	t
28	23.9	18.2						
30	19.3	16.9	15.9					
32	17.9	15.8	15.0	13.6				
36	16.5	13.9	13.3	12.5	10.7			
38		12.9	12.5	11.6	10.5	9.4		
42		11.0	11.1	10.7	9.6	8.6		
46			9.8	9.5	8.7	7.9	5.4	
48			8.8	8.9	8.3	7.6	5.4	
50				8.3	7.9	7.2	5.2	3.5
55					6.7	6.4	4.8	3.4
60					5.7	5.4	4.3	3.2
65						4.6	3.8	2.9
70							3.3	2.5
75							2.7	2.2
80							2.0	

Main boom 52.1 m

Radius (m)	Jib length in (m)							
	20	29	35	41	50	56	71	83
24.9	t	t	t	t	t	t	t	t
30	17.7	13.4						
32	15.2	12.7	11.2					
34	14.3	11.7	10.8	9.9				
36	13.6	11.3	10.3	9.4				
38		10.8	9.8	8.9	7.4			
40		10.2	9.4	8.5	7.2			
42		9.9	9.0	8.1	6.9	6.1		
44		9.4	8.5	7.8	6.5	5.9		
46			8.2	7.4	6.3	5.6		
48			7.8	7.1	6.0	5.4	3.2	
50			7.4	6.8	5.8	5.2	3.2	
55				6.1	5.2	4.7	2.8	2.0
60					4.7	4.2	2.5	
65						3.8	2.2	
70						3.2	2.3	

Main boom 55.1 m

Radius (m)	Jib length in (m)							
	20	29	35	41	50	56	68	
25.7	t	t	t	t	t	t	t	
30	15.8	12.1						
34	14.0	10.7	9.7					
36	12.5	10.2	9.3	8.3				
40		9.3	8.4	7.6	6.4			
42		8.9	8.0	7.2	6.1	5.3		
44		8.6	7.7	6.9	5.8	5.2		
46			7.3	6.6	5.5	5.0	3.5	
48			7.1	6.3	5.3	4.8	3.0	
50			6.9	6.0	5.1	4.6	2.9	
55				5.6	4.7	4.1	2.6	
60					4.2	3.7	2.3	
65					3.8	3.3	2.1	
70						3.0	2.1	

Main boom 58.1 m

Radius (m)	Jib length in (m)							
	20	29	35	41	50			
26.5	t	t	t	t	t			
32	13.9	10.0						
34	11.5	9.5	8.6					
36	11.0	9.1	8.2	7.1				
38	10.7	8.7	7.8	6.9				
40		8.2	7.4	6.5	4.9			
42		7.8	7.1	6.2	4.7			
44		7.6	6.7	6.0	4.5			
46		7.3	6.4	5.7	4.4			
48			6.2	5.5	4.2			
50			6.0	5.2	4.1			
55				4.9	3.7			
60					3.3			
65					3.1			

Capacities in metric tons with luffing jib (No. 1713.xx) 60,6 t counterweight + 20 t carbody counterweight. Above lift chart is for reference only. For actual lift duty and complete chart with all available configurations please refer to lift chart in operator's cab or manual.

Lift chart - luffing jib (No. 1713.xx)

Main boom angle 65°

Main boom 25.7 m

Radius (m)	Jib length in (m)							
	20	29	35	41	50	56	71	83
25.3	t	t	t	t	t	t	t	t
32	22.6							
34	16.8	16.4						
38		15.2	14.9					
40		13.2	12.9	12.6				
44		12.3	12.1	11.8				
46			10.6	10.4	10.0			
48			10.0	9.8	9.4	8.9		
50				9.2	8.8	8.5		
55				8.7	8.3	8.0		
60					7.1	6.7	5.1	
65					6.2	5.5	4.6	
70						4.9	3.9	3.1
75							3.3	2.6
80							2.8	2.2
							2.4	

Main boom 37.4 m

Radius (m)	Jib length in (m)							
	20	29	35	41	50	56	71	83
30.2	t	t	t	t	t	t	t	t
36	16.5							
38	13.2	12.7						
40	12.1	11.9						
42		11.1	10.8					
44		10.4	10.1					
46		9.8	9.5	9.2				
48		9.2	8.9	8.6				
50			8.4	8.1	7.7			
55			7.9	7.6	7.2			
60				6.6	6.2	5.9		
65					5.4	5.1	4.0	
70					4.7	4.4	3.4	
75						3.8	2.9	2.0
80							2.4	2.0

Main boom 43.4 m

Radius (m)	Jib length in (m)						
	20	29	35	41	50	56	71
32.8	t	t	t	t	t	t	t
38	14.0						
40	11.6	11.1					
42	10.8	10.4					
46		9.7	9.4				
48		8.6	8.2	7.9			
50		8.1	7.8	7.5			
55			7.3	7.0	6.4		
60			6.3	6.1	5.5	5.1	
65				5.2	4.8	4.4	
70					4.2	3.8	2.7
75						3.3	2.2
						2.8	

Main boom 52.1 m

Radius (m)	Jib length in (m)					
	20	29	35	41	50	56
36.4	t	t	t	t	t	t
38	10.8					
40	10.3					
42	9.7					
44	9.1	8.4				
46	8.5	7.9				
48		7.5	6.9			
50		7.1	6.6			
55		6.7	6.2	5.7		
60			5.4	5.0	4.3	
65				4.4	3.7	3.3
70					3.2	2.7
					2.8	2.3

Main boom 55.1 m

Radius (m)	Jib length in (m)					
	20	29	35	41	50	56
37.7	t	t	t	t	t	t
44	9.8					
46	8.2	7.4				
48		7.0				
50		6.6	6.1			
55		6.3	5.7	5.2		
60			5.0	4.6	3.9	
65			4.4	4.0	3.3	2.8
70				3.4	2.8	2.4
					2.4	

Main boom 58.1 m

Radius (m)	Jib length in (m)				
	20	29	35	41	50
39	t	t	t	t	t
44	8.8				
46	7.6				
48	7.2	6.4			
50		6.1	5.5		
55		5.8	5.2		
60		5.0	4.5	4.1	
65			4.0	3.5	2.9
70				3.1	2.4
					2.0

Capacities in metric tons with luffing jib (No. 1713.xx) 60.6 t counterweight + 20 t carbody counterweight. Above lift chart is for reference only. For actual lift duty and complete chart with all available configurations please refer to lift chart in operator's cab or manual.

Lift chart – luffing jib (No. 1713.xx)

Main boom angle 45°

Main boom 25.7 m

Radius (m)	Jib length in (m)								
	20	29	35	41	50				
t	t	t	t	t	t				
37.3	12.2								
38	12.0								
40	11.2								
46		8.9							
48		8.4							
50			7.6						
55			6.6	6.3					
60				5.5					
65					4.4				
70						3.5			
75						3.0			

Main boom 37.4 m

Radius (m)	Jib length in (m)								
	20	29	35	41	50				
t	t	t	t	t	t				
45.6	7.7								
46	7.6								
48	7.1								
55		5.4							
60			4.3						
65				3.4					
75					2.1				

Main boom 43.4 m

Radius (m)	Jib length in (m)							
	20	29	35	41				
t	t	t	t	t				
50	5.8							
60		3.8						
65			3.0					
70				2.2				

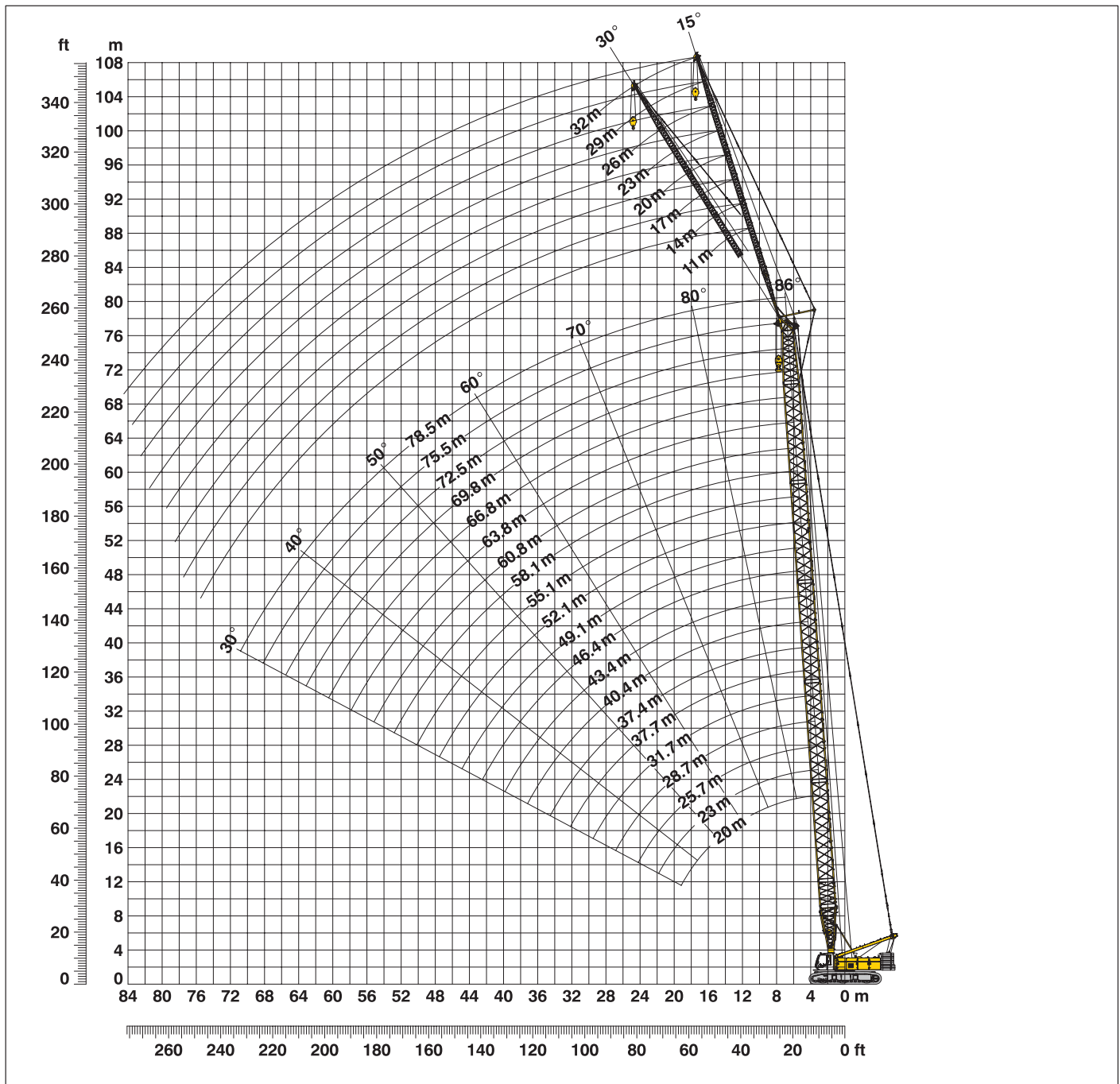
Main boom 49.1 m

Radius (m)	Jib length in (m)							
	20	29						
t	t	t						
56	3.5							
65		2.1						

Capacities in metric tons with luffing jib (No. 1713.xx) 60.6 t counterweight + 20 t carbody counterweight. Above lift chart is for reference only. For actual lift duty and complete chart with all available configurations please refer to lift chart in operator's cab or manual.

Working range - fixed jib (No. 0806.xx) 15° and 30°

Main boom 88°- 30°



Boom configuration for boom lengths (20 m - 78.5 m) – see table 1 on page 12

Fixed jib configuration for fixed jib lengths (11 m - 32 m)

	Length	Amount of fixed jib extensions							
Fixed jib foot	5.5 m	1	1	1	1	1	1	1	1
Fixed jib insert	3.0 m		1		1		1		1
Fixed jib insert	6.0 m			1	1	2	2	3	3
Fixed jib head	5.5 m	1	1	1	1	1	1	1	1
Fixed jib length (m)		11	14	17	20	23	26	29	32

Lift chart – fixed jib (No. 0806.xx)

Offset 15°

Main boom 20 m

Radius (m)	Fixed jib length in (m)			
	11	20	26	32
7	t	t	t	t
10	24.0	14.7		
13	23.7	13.5	7.7	
15	23.3	12.8	7.3	4.5
20	20.8	10.3	6.5	4.1
24	18.7	9.4	5.9	3.8
26	17.6	9.0	5.7	3.7
28	16.6	8.7	5.6	3.6
30	15.4	8.5	5.4	3.5
38		7.4	4.9	3.2
42			4.7	3.2
50				3.1

Main boom 28.7 m

Radius (m)	Fixed jib length in (m)			
	11	20	26	32
6.2	24.0			
10	24.0	14.8		
13	24.0	13.8	7.9	
15	23.4	13.2	7.5	5.2
20	21.6	10.8	6.7	4.1
24	20.0	9.9	6.2	3.9
28	18.8	9.4	5.8	3.7
32	17.5	8.9	5.6	3.5
38	13.8	8.3	5.2	3.3
46		7.4	4.8	3.2
50			4.8	3.1
55				3.1

Main boom 40.4 m

Radius (m)	Fixed jib length in (m)			
	11	20	26	32
6.6	24.0			
11	24.0	14.1		
13	23.8	13.6	8.6	
16	23.2	12.8	7.2	4.4
20	21.6	10.8	6.6	4.1
28	19.7	9.6	5.9	3.8
36	14.4	8.9	5.4	3.5
44	10.7	8.3	5.0	3.3
48	9.3	8.0	4.9	3.2
55		7.4	4.6	3.1
60			4.6	3.0
65				2.9

Main boom 52.1 m

Radius (m)	Fixed jib length in (m)			
	11	20	26	32
7	24.0			
11	23.8	13.5		
14	23.1	12.8	7.2	
16	22.3	12.4	7.1	4.3
24	19.7	10.0	6.2	3.9
32	16.5	9.2	5.7	3.6
40	11.7	8.7	5.3	3.4
48	8.7	8.1	5.0	3.2
55	6.8	7.3	4.8	3.1
65		5.2	4.6	3.0
70			4.5	2.9
75				2.9

Main boom 58.1 m

Radius (m)	Fixed jib length in (m)			
	11	20	26	32
7.2	24.0			
11	23.5	13.0		
14	22.2	12.5	7.0	
16	21.5	12.1	6.9	4.9
24	19.0	9.8	6.1	3.8
32	16.2	9.1	5.6	3.6
40	11.5	8.7	5.3	3.4
48	8.4	8.1	5.0	3.2
60	5.3	5.9	4.7	3.0
70		4.1	4.4	2.9
75			3.6	2.9
80				2.8

Main boom 66.8 m

Radius (m)	Fixed jib length in (m)			
	11	20	26	32
7.5	22.7			
12	21.3	10.4		
14	20.5	10.4	6.7	
17	19.3	10.1	6.5	4.2
24	17.1	9.3	5.9	3.8
32	15.5	8.6	5.4	3.6
40	11.0	8.1	5.1	3.4
48	7.9	7.6	4.9	3.2
65	4.0	4.5	4.4	3.0
70	3.2	3.7	4.0	2.9
80		2.3	2.6	2.8
85			2.0	2.3

Main boom 72.5 m

Radius (m)	Fixed jib length in (m)			
	11	20	26	32
7.7	21.0			
12	19.6	10.5		
14	18.9	10.3	7.1	
17	17.7	9.8	6.3	4.1
24	15.5	8.9	5.7	3.8
32	14.3	8.2	5.3	3.5
40	10.6	7.8	5.0	3.4
48	7.6	7.0	4.7	3.2
55	5.7	6.3	4.5	3.1
65	3.7	4.2	4.1	2.9
75	2.2	2.7	3.0	2.9
80		2.0	2.3	2.6

Main boom 75.5 m

Radius (m)	Fixed jib length in (m)			
	11	20	26	32
7.8	19.8			
12	17.9	10.5		
15	17.0	10.1	6.4	
18	16.1	9.6	6.1	3.8
24	14.1	8.8	5.6	3.6
32	12.8	8.2	5.2	3.2
40	10.1	7.7	5.0	3.0
48	7.4	7.0	4.8	2.8
65	3.5	4.0	4.2	2.6
70	2.7	3.2	3.5	2.6
75		2.5	2.8	2.6
80			2.1	2.4

Main boom 78.5 m

Radius (m)	Fixed jib length in (m)			
	11	14	20	23
7.9	18.8			
10	17.8	15.7		
12	16.4	14.7	10.0	
13	16.2	14.3	9.9	8.1
16	15.7	13.7	9.5	7.3
24	13.1	10.9	8.5	6.3
32	9.7	9.9	7.8	6.0
48	7.1	7.3	6.8	5.5
55	5.3	5.5	5.8	5.3
65	3.3	3.5	3.9	4.0
70	2.5	2.7	3.0	3.2
75		2.0	2.3	2.5

Capacities in metric tons with fixed jib (No. 0806.xx) 60.6 t counterweight + 20 t carbody counterweight. Above lift chart is for reference only. For actual lift duty and complete chart with all available configurations please refer to lift chart in operator's cab or manual.

Lift chart - fixed jib (No. 0806.xx)

Offset 30°

Main boom 20 m

Radius (m)	Fixed jib length in (m)			
	11	20	26	32
9	t	t	t	t
15	24.0	10.3		
19	19.0	9.4	5.9	
22	17.0	8.8	5.6	4.1
24	16.2	8.5	5.4	3.5
26	15.3	8.2	5.2	3.4
28	14.7	7.9	5.1	3.3
30	14.3	7.6	4.9	3.3
40		6.8	4.5	3.1
46			4.5	3.1
48				3.1
50				3.0

Main boom 28.7 m

Radius (m)	Fixed jib length in (m)			
	11	20	26	32
8.9	t	t	t	t
15	24.0	10.5		
19	20.1	9.7	6.0	
24	18.0	8.9	5.5	3.5
26	17.0	8.7	5.4	3.4
30	15.8	8.2	5.2	3.3
34	14.7	7.8	5.0	3.2
36	14.4	7.6	4.9	3.2
38	13.9	7.4	4.8	3.1
46		7.0	4.6	3.0
50			4.6	3.0
55				3.0

Main boom 40.4 m

Radius (m)	Fixed jib length in (m)			
	11	20	26	32
9.3	t	t	t	t
16	23.2	10.1		
19	20.0	9.6	6.8	
24	18.9	9.0	5.4	3.5
30	17.3	8.5	5.1	3.2
38	13.5	7.9	4.8	3.1
42	11.6	7.6	4.7	3.0
46	10.0	7.3	4.6	3.0
48	9.3	7.2	4.5	3.0
55		7.0	4.5	3.0
60			4.5	3.0
65				3.0

Main boom 52.1 m

Radius (m)	Fixed jib length in (m)			
	11	20	26	32
9.7	t	t	t	t
16	21.9	9.8		
20	19.1	9.3	5.6	
24	18.3	8.9	5.4	3.4
30	17.2	8.4	5.1	3.2
38	13.0	8.0	4.8	3.1
46	9.5	7.6	4.7	3.0
50	8.2	7.4	4.6	3.0
55	6.9	7.0	4.5	2.9
65		5.3	4.4	2.9
70			4.4	2.9
75				2.9

Main boom 58.1 m

Radius (m)	Fixed jib length in (m)			
	11	20	26	32
9.9	t	t	t	t
16	21.1	9.6		
20	18.5	9.2	5.6	
24	17.6	8.7	5.3	3.4
30	16.7	8.3	5.1	3.2
38	12.7	8.0	4.8	3.1
46	9.3	7.7	4.7	3.0
50	7.9	7.5	4.6	3.0
60	5.4	6.1	4.5	2.9
70		4.2	4.3	2.8
75			3.7	2.8
85				2.7

Main boom 66.8 m

Radius (m)	Fixed jib length in (m)			
	11	20	26	32
10.2	t	t	t	t
16	19.5	9.9		
20	17.0	8.7	5.3	
24	15.8	8.2	5.1	3.3
32	14.9	7.8	4.8	3.2
40	11.2	7.5	4.6	3.1
48	8.2	7.1	4.5	3.0
55	6.2	6.7	4.4	2.9
65	4.1	4.7	4.2	2.8
70	3.2	3.8	4.2	2.8
80		2.4	2.7	2.8
85			2.1	2.4

Main boom 72.5 m

Radius (m)	Fixed jib length in (m)			
	11	20	26	32
10.4	t	t	t	t
17	18.2	8.6		
20	15.7	8.3	6.0	
24	14.6	7.9	5.0	3.3
32	13.5	7.5	4.7	3.2
40	10.9	7.3	4.5	3.0
48	7.9	6.8	4.4	3.0
55	5.9	6.3	4.4	2.9
65	3.8	4.4	4.2	2.8
75	2.2	2.8	3.2	2.8
80		2.1	2.5	2.8
85				2.2

Main boom 75.5 m

Radius (m)	Fixed jib length in (m)			
	11	20	26	32
10.5	t	t	t	t
17	17.1	8.6		
22	14.3	8.2	5.0	
24	13.8	8.0	4.9	3.6
32	12.6	7.5	4.7	2.9
40	10.6	7.2	4.5	2.9
48	7.7	6.8	4.4	2.9
55	5.7	6.2	4.3	2.8
65	3.6	4.3	4.2	2.8
75	2.1	2.7	3.0	2.7
80			2.3	2.6
85				2.1

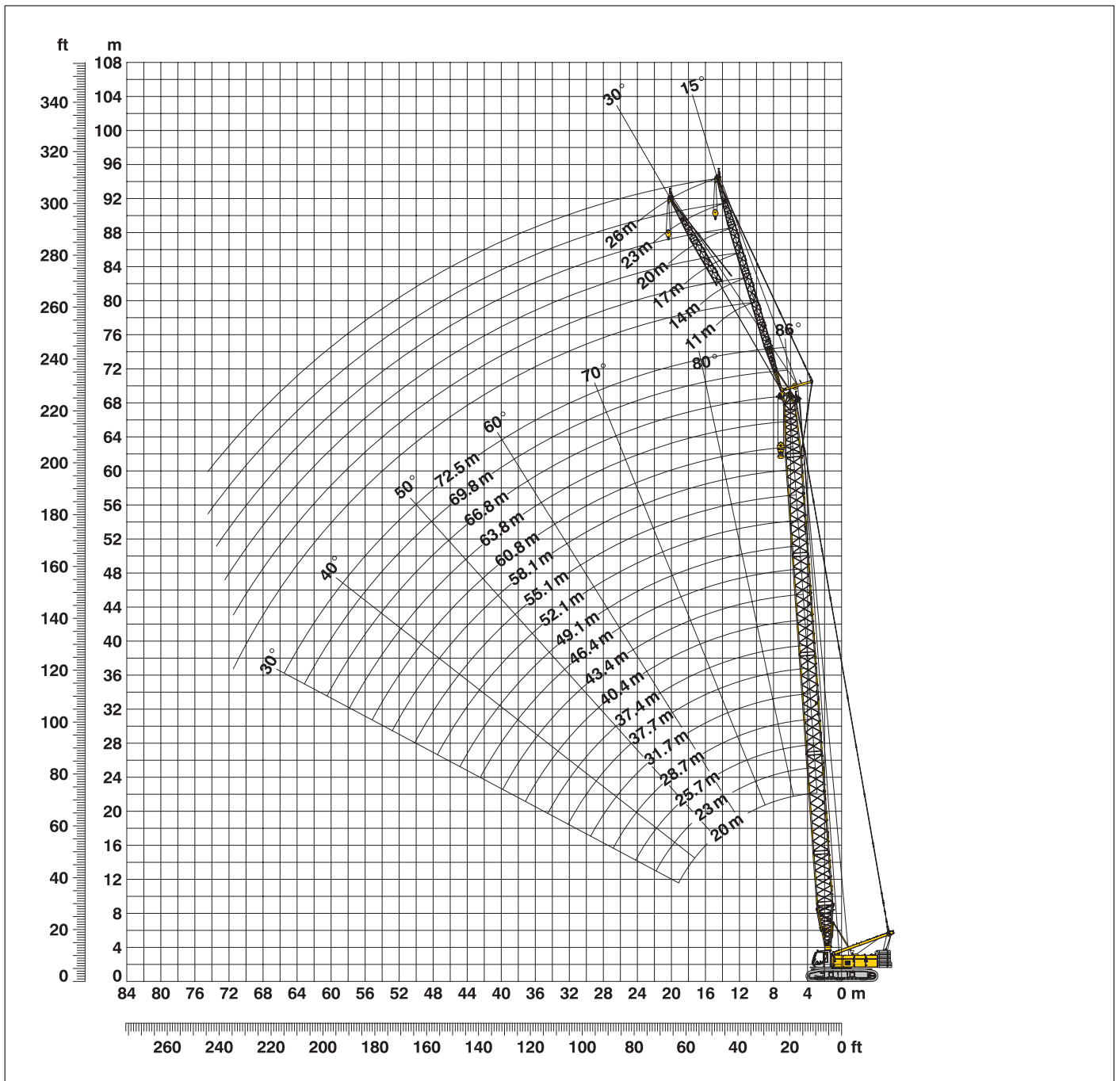
Main boom 78.5 m

Radius (m)	Fixed jib length in (m)			
	11	14	20	23
10.6	t	t	t	t
13	16.3	13.5		
17	14.8	12.9	8.2	
19	14.3	12.5	7.9	6.0
24	13.2	11.1	7.5	5.7
32	11.4	10.2	7.2	5.4
40	10.2	9.5	6.9	5.2
48	7.5	7.7	6.6	5.0
65	3.5	3.7	4.2	4.4
70	2.6	2.9	3.3	3.5
75		2.1	2.5	2.7
80				2.0

Capacities in metric tons with fixed jib (No. 0806.xx) 60.6 t counterweight + 20 t carbody counterweight. Above lift chart is for reference only. For actual lift duty and complete chart with all available configurations please refer to lift chart in operator's cab or manual.

Working range - fixed jib (No. 1008.xx) 15° and 30°

Main boom 88° - 30°



Boom configuration for boom lengths (20 m - 72.5 m) – see table 1 on page 12
Fixed jib configuration for fixed jib lengths (11 m - 26 m)

	Length	Amount of fixed jib extensions					
Fixed jib foot	5.5 m	1	1	1	1	1	1
Fixed jib insert	3.0 m		1		1		1
Fixed jib insert	6.0 m			1	1	2	2
Fixed jib head	5.5 m	1	1	1	1	1	1
Fixed jib length (m)		11	14	17	20	23	26

Lift chart - fixed jib (No. 1008.xx)

Offset 15°

Main boom 20 m

Radius (m)	Fixed jib length in (m)			
	11	14	20	26
5.6	35.9			
7	35.9	35.9		
10	35.9	33.4	24.6	
12	34.9	29.8	22.2	18.1
16	31.6	24.3	18.0	14.3
20	29.7	22.9	15.2	11.9
24	25.2	21.3	14.3	10.5
28	20.5	18.8	13.7	10.2
30	18.6	18.1	13.1	10.2
32		17.2	12.4	10.1
38			11.3	8.8
44				7.7

Main boom 28.7 m

Radius (m)	Fixed jib length in (m)			
	11	14	20	26
5.9	35.9			
8	35.9	34.2		
10	35.9	32.9	26.8	
12	35.9	31.7	24.6	17.8
20	31.8	26.7	19.1	13.6
28	20.1	20.3	15.9	11.0
32	16.6	16.8	14.8	10.7
36	13.9	14.2	13.6	10.3
38	12.8	13.0	13.0	10.0
40		12.0	12.4	9.6
46			9.9	8.4
50				7.9

Main boom 40.4 m

Radius (m)	Fixed jib length in (m)			
	11	14	20	26
6.3	35.9			
8	35.9	34.5		
10	35.9	33.7	26.9	
13	35.9	32.4	25.3	17.2
16	35.5	31.0	23.2	16.0
24	24.3	24.4	19.3	13.3
32	16.0	16.3	16.2	11.4
40	11.3	11.5	11.8	10.4
48	8.2	8.4	8.7	8.9
50		7.7	8.0	8.3
55			6.7	6.9
60				5.7

Main boom 46.4 m

Radius (m)	Fixed jib length in (m)			
	11	14	20	26
6.5	35.9			
8	35.9	33.6		
11	35.9	32.8	25.3	
13	35.6	32.0	24.3	16.6
18	33.2	29.1	21.6	15.0
24	23.9	22.7	18.9	13.3
32	15.7	15.9	16.1	11.4
40	11.0	11.2	11.5	10.5
50	7.3	7.4	7.7	8.0
55		6.1	6.3	6.6
60			5.2	5.4
65				4.4

Main boom 52.1 m

Radius (m)	Fixed jib length in (m)			
	11	14	20	26
6.7	35.9			
8	35.9	32.5		
11	35.5	31.8	23.4	
13	34.9	30.7	22.7	15.7
20	28.5	26.2	19.7	13.9
28	19.0	19.0	16.8	12.3
36	12.8	13.0	13.4	10.9
44	9.0	9.2	9.5	9.8
55	5.6	5.8	6.1	6.3
60		4.7	4.9	5.2
65			4.0	4.2
70				3.3

Main boom 58.1 m

Radius (m)	Fixed jib length in (m)			
	11	14	20	26
7	34.8			
9	34.3	30.3		
11	33.1	29.4	21.5	
13	31.5	28.1	21.0	15.2
20	26.6	23.1	18.4	13.4
28	18.2	18.3	15.8	11.4
36	12.4	12.7	13.0	10.6
44	8.7	8.8	9.2	9.4
60	4.2	4.3	4.6	4.8
65		3.4	3.6	3.9
70			2.8	3.0
75				2.3

Main boom 66.8 m

Radius (m)	Fixed jib length in (m)			
	11	14	20	26
7.3	27.9			
9	27.5	24.3		
11	26.5	23.4	18.4	
14	24.7	22.1	17.6	13.3
20	20.9	19.2	15.7	12.3
28	16.7	15.8	13.5	10.6
36	11.2	11.5	11.5	9.8
44	8.2	8.4	8.7	8.7
48	6.8	7.0	7.3	7.4
55	4.9	5.0	5.3	5.5
65	2.8	2.9	3.2	3.4
70	2.0	2.1	2.4	2.6

Main boom 69.8 m

Radius (m)	Fixed jib length in (m)			
	11	14	17	20
7.4	24.6			
9	24.3	20.3		
10	23.0	20.3	18.3	
11	22.7	20.2	18.3	17.1
12	22.3	20.1	18.1	16.2
20	18.7	17.6	16.2	14.6
28	15.2	14.8	13.8	12.6
36	11.2	11.6	11.5	10.8
44	8.0	8.2	8.3	8.4
55	4.7	4.8	5.0	5.1
65	2.6	2.7	2.9	3.0
70			2.1	2.2

Main boom 72.5 m

Radius (m)	Fixed jib length in (m)			
	11	14		
7.7	22.4			
9	22.4	19.6		
10	22.2	19.6		
12	21.6	19.3		
20	17.6	16.0		
28	14.6	13.3		
36	11.3	11.3		
40	9.4	9.5		
44	7.9	8.0		
48	6.5	6.6		
55	4.5	4.7		
65	2.5	2.6		

Capacities in metric tons with fixed jib (No. 1008.xx) 60.6 t counterweight + 20 t carbody counterweight. Above lift chart is for reference only. For actual lift duty and complete chart with all available configurations please refer to lift chart in operator's cab or manual.

Lift chart – fixed jib (No. 1008.xx)

Offset 30°

Main boom 20 m

Radius (m)	Fixed jib length in (m)			
	11	14	20	26
8.3	t	t	t	t
11	32.0	22.6		
14	23.9	19.4	14.3	
18	21.8	16.8	11.9	9.7
20	21.8	15.7	11.2	8.7
22	21.7	15.7	10.6	8.0
24	21.0	15.7	9.9	7.5
26	20.2	15.4	9.7	7.1
30	18.7	14.4	9.7	6.6
34		13.8	9.5	6.6
40			9.1	6.4
46				6.0

Main boom 28.7 m

Radius (m)	Fixed jib length in (m)			
	11	14	20	26
8.6	t	t	t	t
11	33.3	25.5		
15	26.6	22.3	15.2	
18	24.6	20.6	13.5	10.3
20	24.0	19.8	12.8	9.3
24	22.9	18.3	11.8	8.4
28	20.4	17.6	11.1	7.8
32	16.8	16.5	10.9	7.3
38	12.9	13.2	10.2	7.1
40		12.1	9.9	7.0
46			9.4	6.4
50				6.1

Main boom 40.4 m

Radius (m)	Fixed jib length in (m)			
	11	14	20	26
9	t	t	t	t
11	35.7	27.9		
15	30.7	25.3	17.1	
19	27.9	23.0	15.4	11.5
20	27.2	22.7	15.0	11.2
24	24.6	20.9	13.8	10.3
32	16.3	16.6	12.0	8.7
40	11.5	11.7	10.8	7.6
48	8.2	8.5	8.9	6.7
50		7.8	8.2	6.6
55			6.8	6.2
60				5.9

Main boom 46.4 m

Radius (m)	Fixed jib length in (m)			
	11	14	20	26
9.2	t	t	t	t
12	34.5	27.0		
15	30.2	25.2	16.5	
19	27.5	23.1	15.6	11.5
20	26.9	22.6	15.2	11.3
28	19.7	18.9	13.0	9.6
36	13.3	13.6	11.8	8.3
44	9.4	9.7	10.1	7.4
50	7.4	7.6	8.0	6.8
55		6.1	6.5	6.5
60			5.3	5.6
65				4.6

Main boom 52.1 m

Radius (m)	Fixed jib length in (m)			
	11	14	20	26
9.4	t	t	t	t
12	32.4	25.9		
15	28.7	24.3	16.3	
19	26.2	22.4	15.5	11.2
20	25.6	22.0	15.2	11.2
28	19.4	18.3	13.1	9.6
36	13.1	13.4	12.1	8.5
44	9.2	9.4	9.9	7.5
55	5.7	5.9	6.3	6.5
60		4.7	5.1	5.4
65			4.1	4.4
70				3.4

Main boom 58.1 m

Radius (m)	Fixed jib length in (m)			
	11	14	20	26
9.6	t	t	t	t
12	29.3	23.9		
16	25.7	22.3	15.8	
19	24.1	21.0	15.2	11.0
24	21.3	19.0	13.9	10.2
32	15.6	15.8	12.4	9.1
40	10.7	10.9	11.2	8.1
48	7.5	7.7	8.1	7.3
60	4.3	4.5	4.8	5.2
65		3.4	3.8	4.1
70			2.9	3.2
75				2.4

Main boom 66.8 m

Radius (m)	Fixed jib length in (m)			
	11	14	20	26
9.9	t	t	t	t
12	23.7	20.0		
16	21.3	18.9	13.9	
20	19.7	17.4	13.4	9.8
24	18.1	16.2	12.7	9.6
28	16.4	15.1	12.1	9.3
32	14.7	13.8	11.2	8.9
36	12.3	12.5	10.7	8.5
44	8.5	8.8	9.3	7.9
55	5.0	5.2	5.7	6.0
70	2.1	2.2	2.5	2.8
75				2.0

Main boom 69.8 m

Radius (m)	Fixed jib length in (m)			
	11	14	17	20
10	t	t	t	t
12	21.8	18.3		
14	20.5	17.3	14.7	
16	19.7	16.9	14.7	13.1
18	19.0	16.5	14.7	13.0
20	18.3	16.0	14.2	12.7
28	15.4	14.0	12.6	9.9
36	11.8	11.4	10.8	9.5
44	8.3	8.6	8.8	8.7
55	4.9	5.1	5.3	5.5
65	2.7	2.9	3.1	3.3
70		2.0	2.2	2.4

Main boom 72.5 m

Radius (m)	Fixed jib length in (m)			
	11	14		
10.4	t	t		
13	19.4	16.9		
16	18.0	16.1		
20	16.4	14.7		
24	14.9	13.5		
28	13.7	12.4		
36	11.7	10.8		
40	9.8	10.0		
44	8.2	8.4		
48	6.8	7.0		
55	4.8	5.0		
65	2.6	2.8		

Capacities in metric tons with fixed jib (No. 1008.xx) 60.6 t counterweight + 20 t carbody counterweight. Above lift chart is for reference only. For actual lift duty and complete chart with all available configurations please refer to lift chart in operator's cab or manual.

